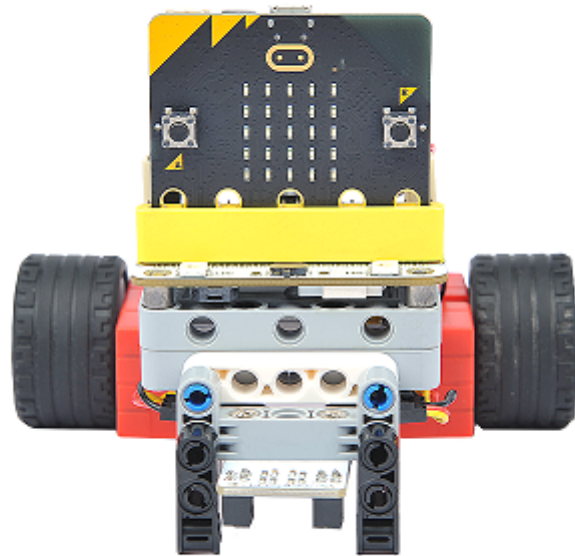


## 2. Case 02: Line-following Cars

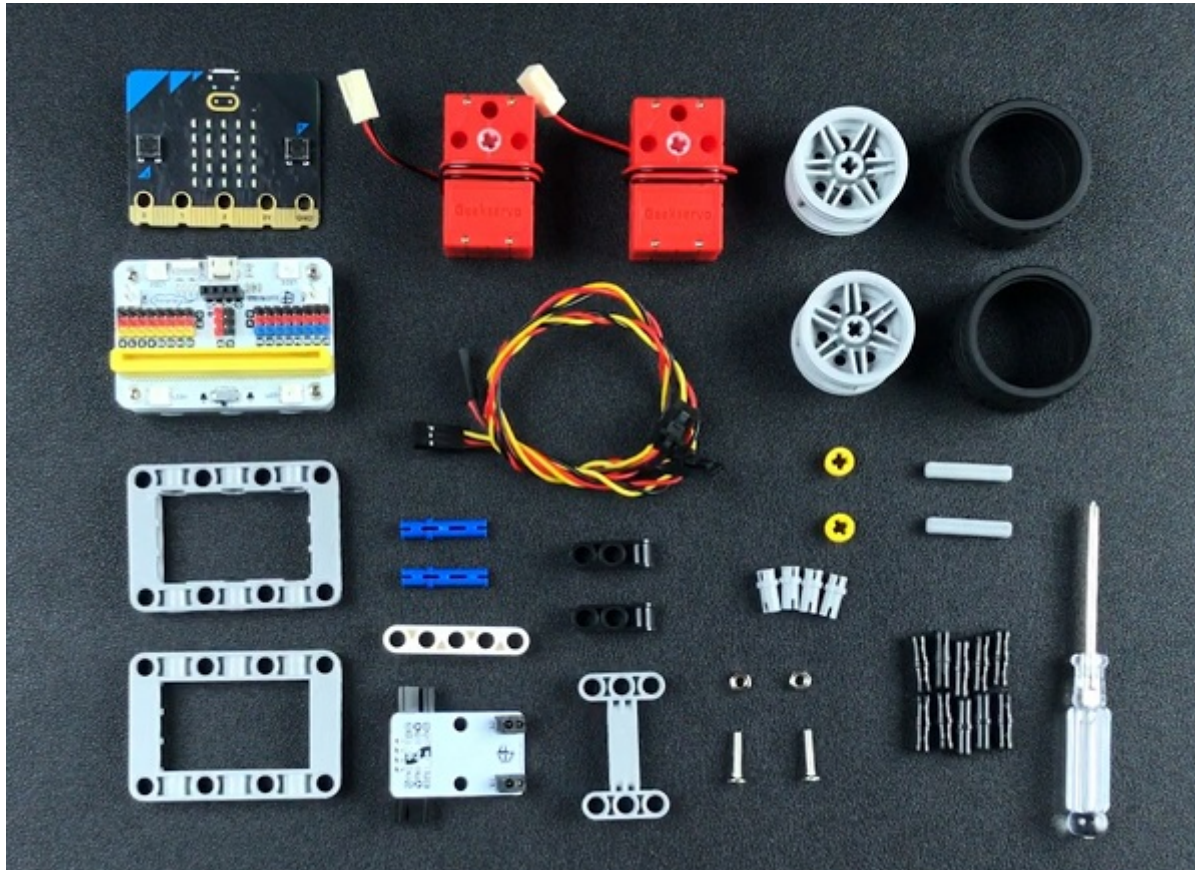
### 2.1. Purpose

To make a line following car.



### 2.2. Link:

## 2.3. Materials Required

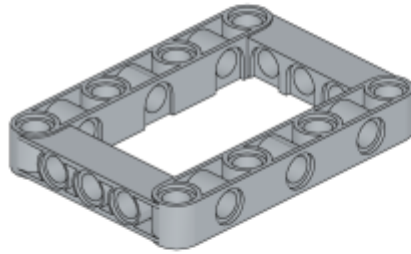
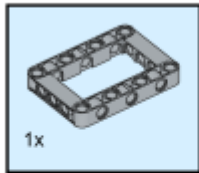


Video link: <https://youtu.be/J2QKDKnTklw>

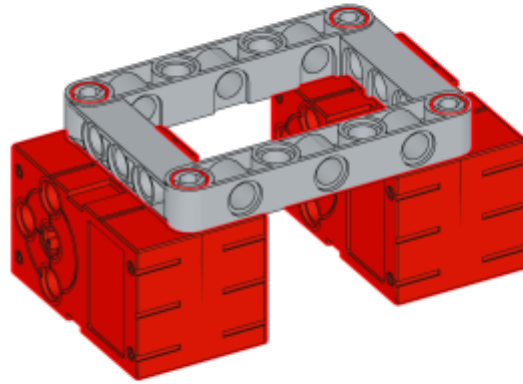
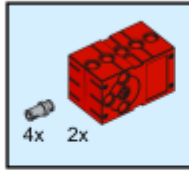
## 2.4. Bricks build-up

---

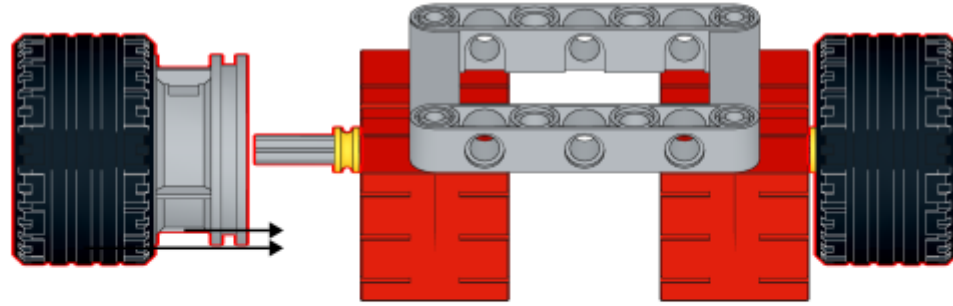
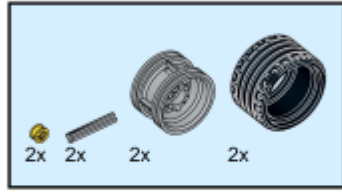
1



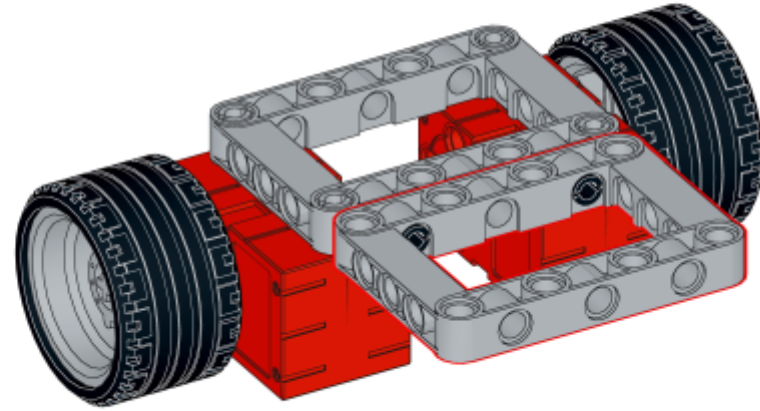
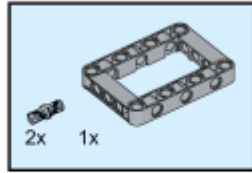
2



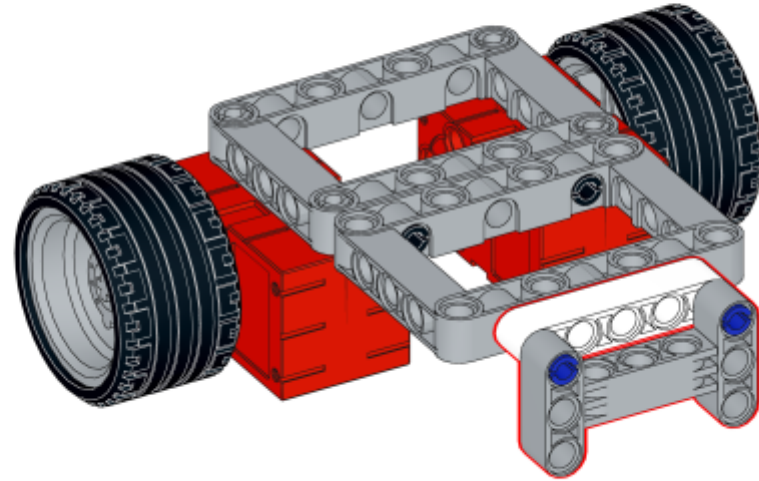
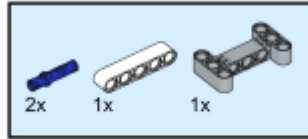
3



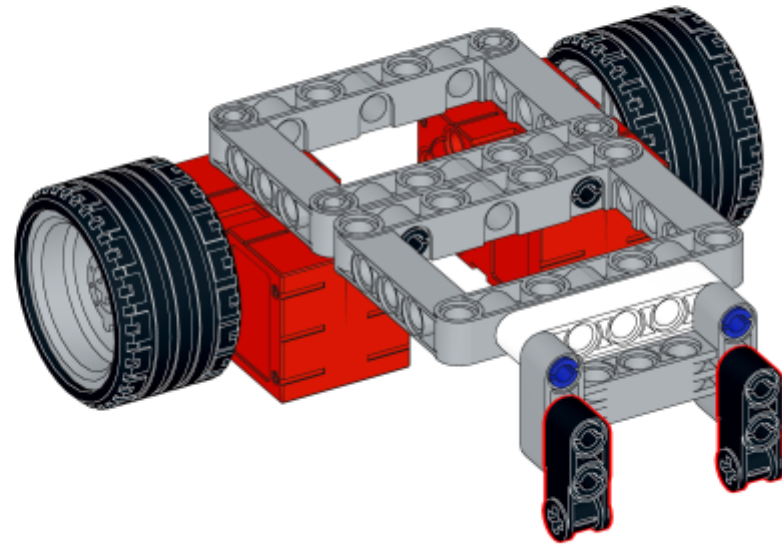
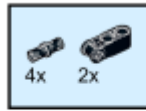
4



5

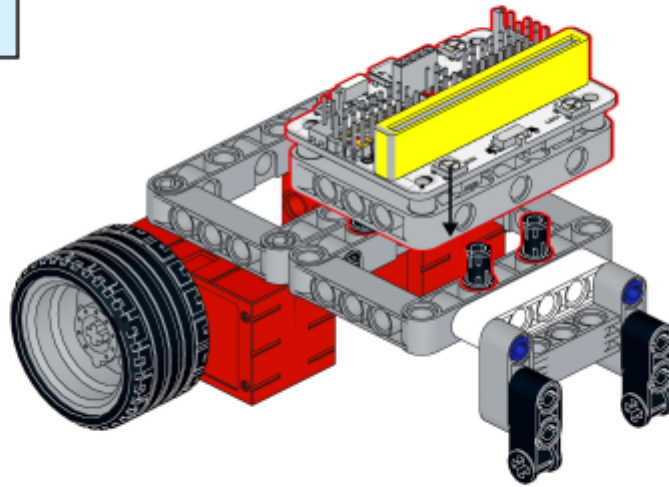
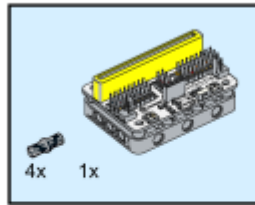


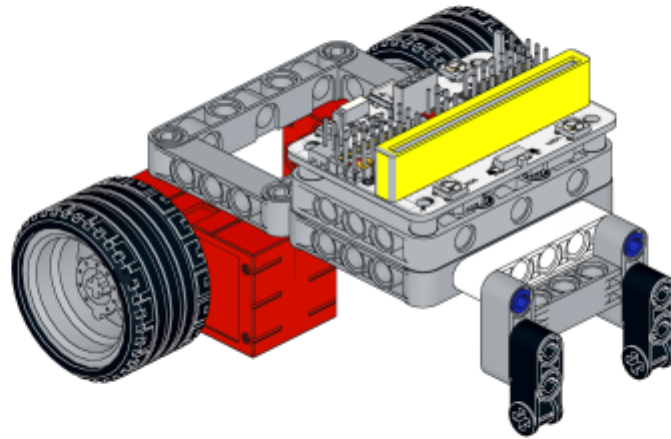
6





7





---

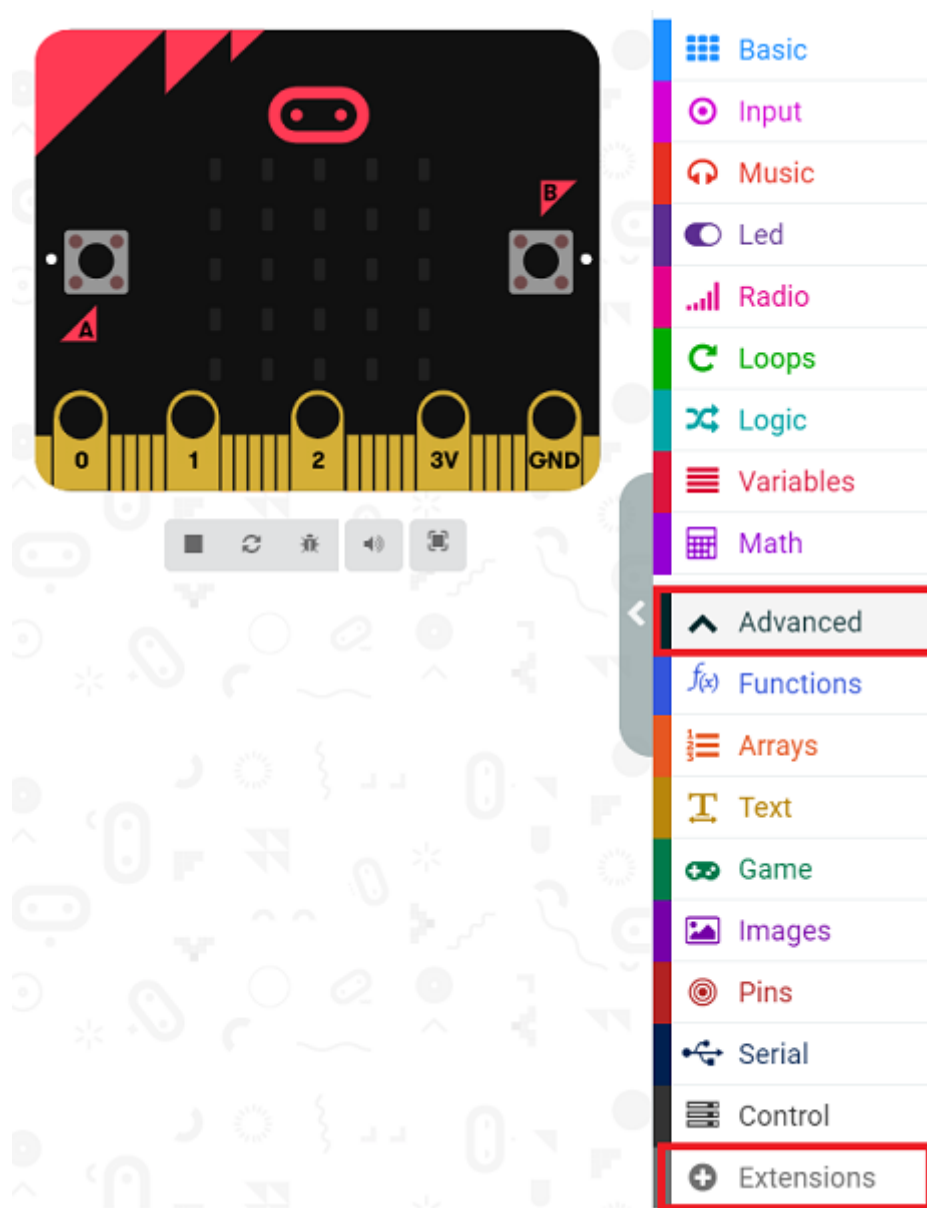
## 2.5. Software Platform

MakeCode

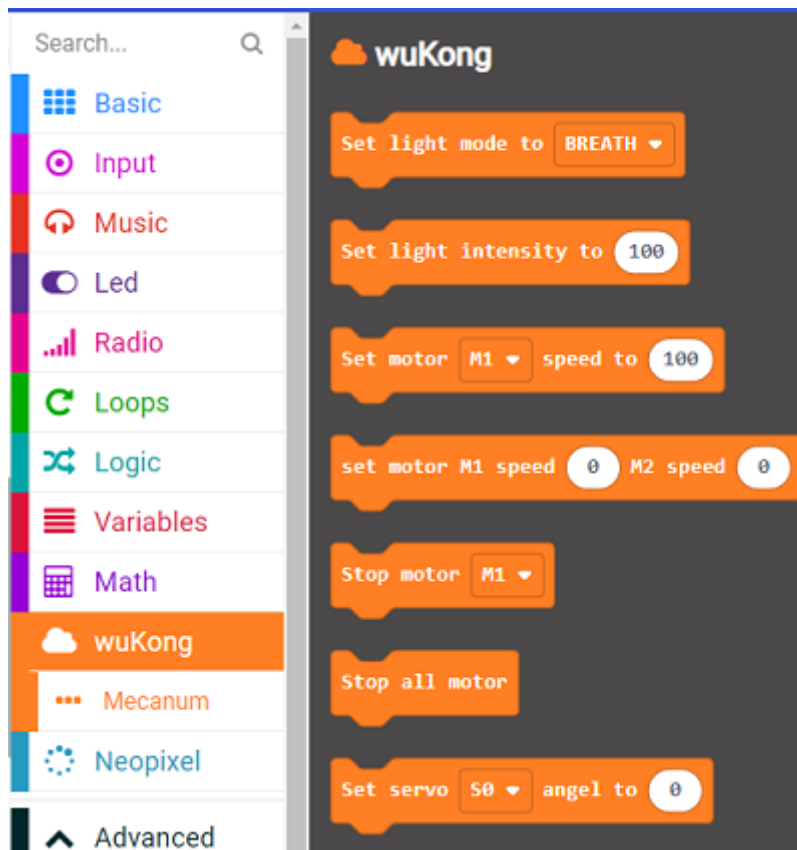
## 2.6. Coding

### Add extensions

Click “Advanced” in the MakeCode to see more choices.



Search with Wukong in the dialogue box to download it.



## Program

 ../../\_images/1

Link:[https://makecode.microbit.org/\\_09y508g6EMK2](https://makecode.microbit.org/_09y508g6EMK2)