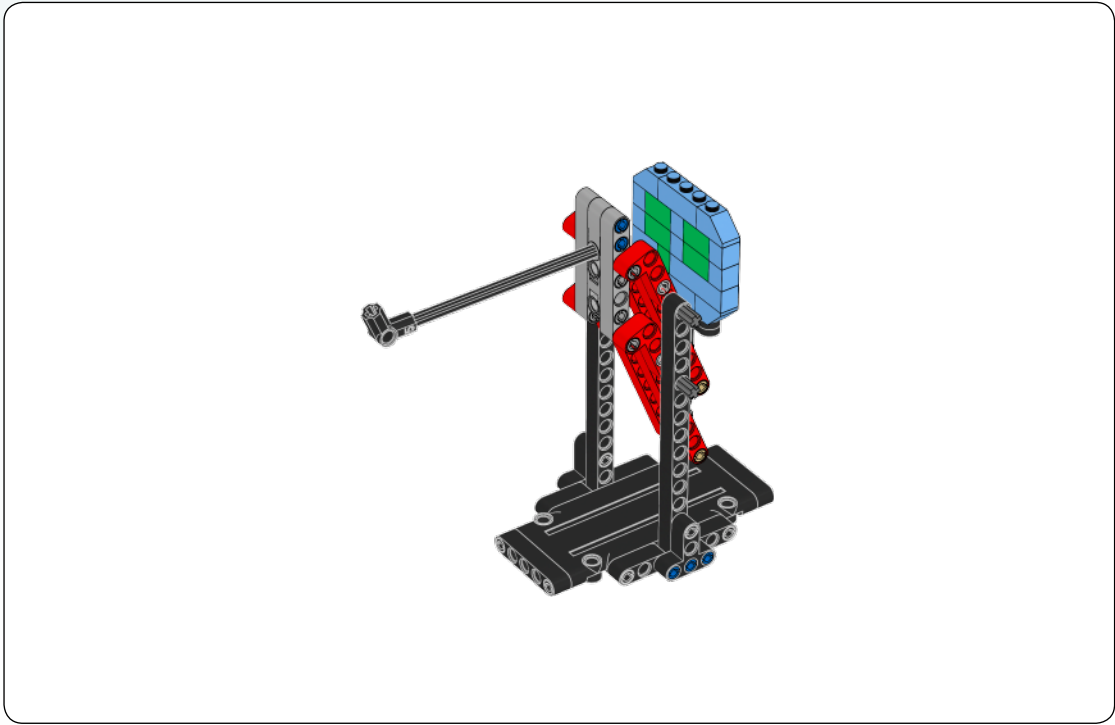
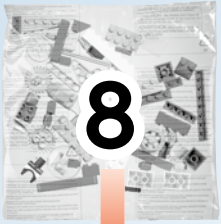
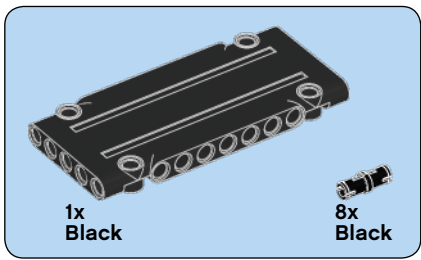


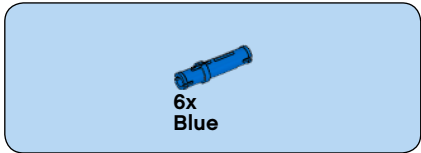
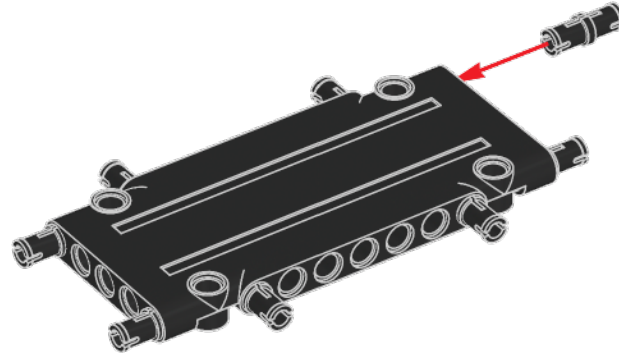
1x

8

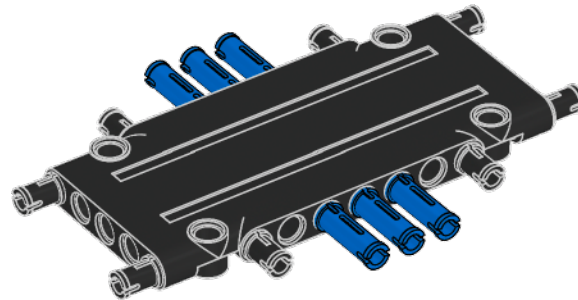


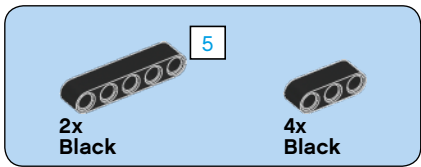


1

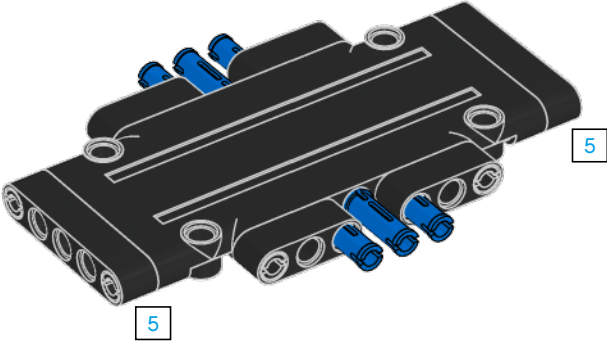


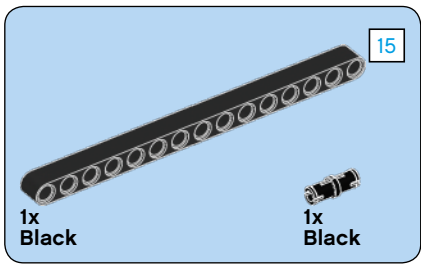
2



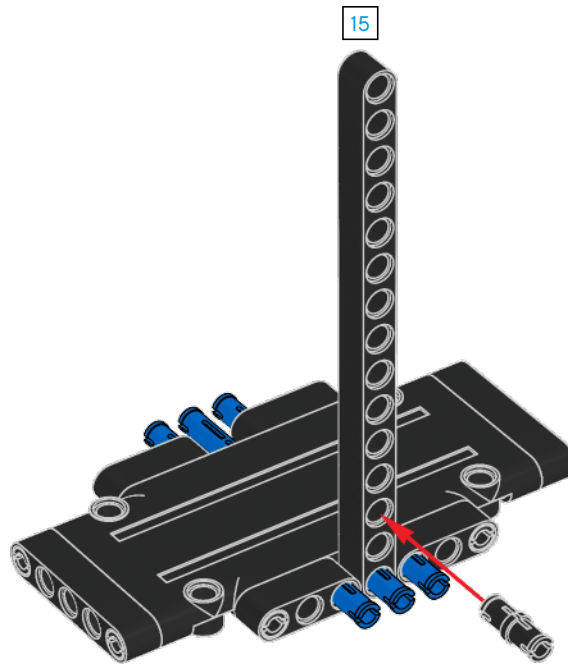


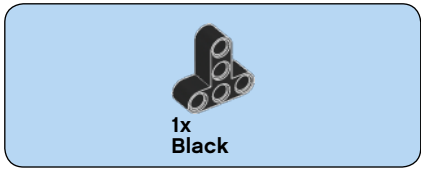
3



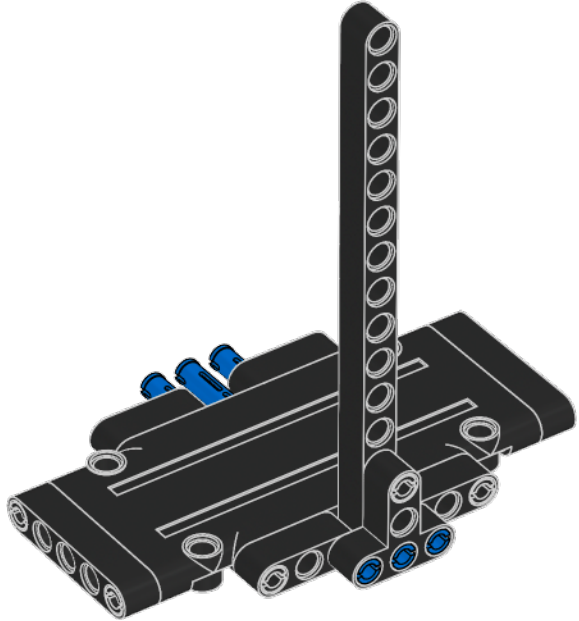


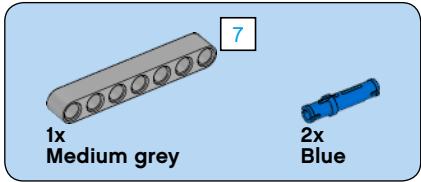
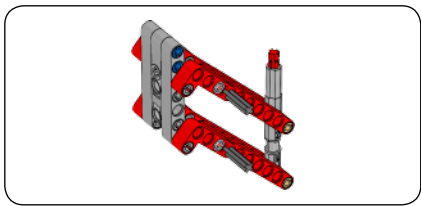
4



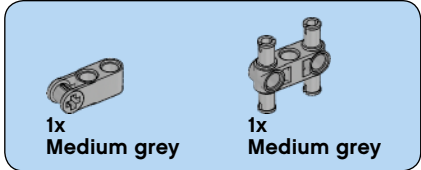
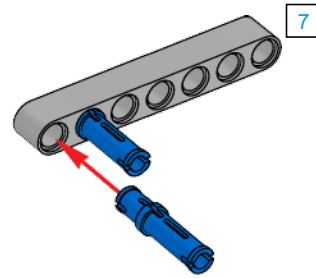


5

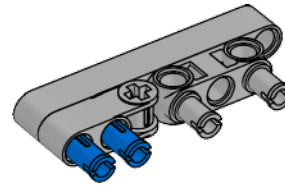


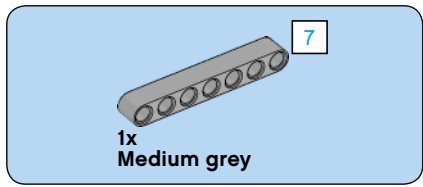


6

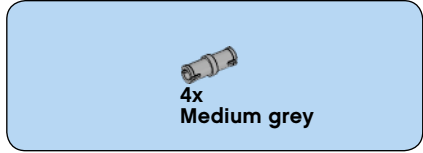
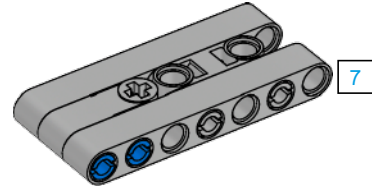


7

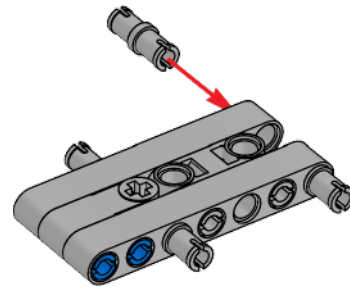


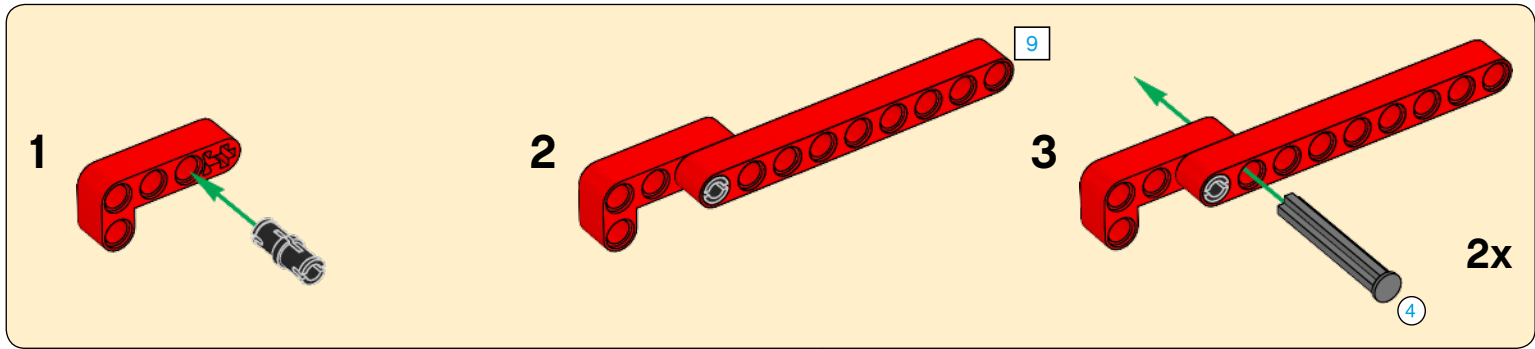
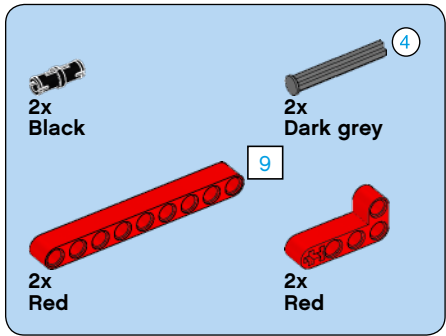


8

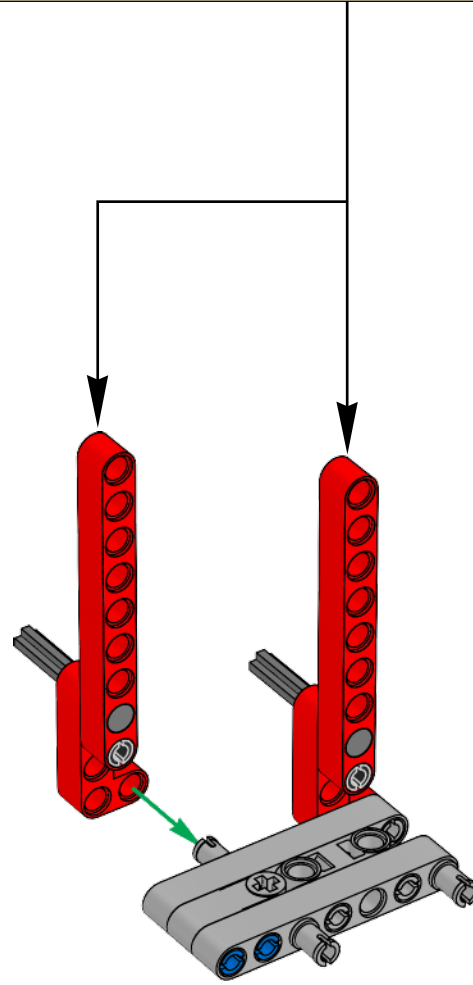


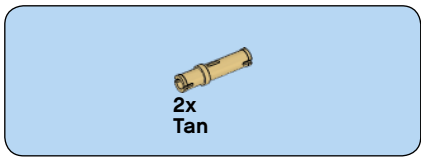
9



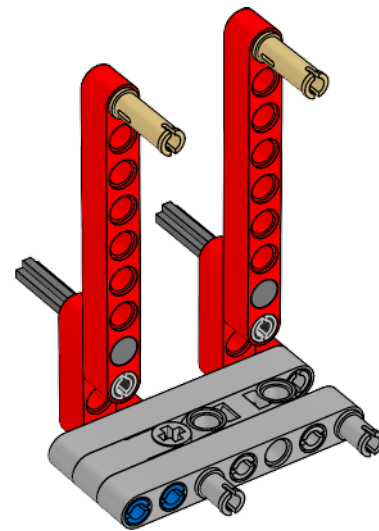


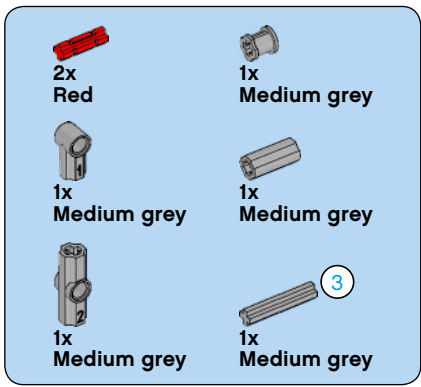
10



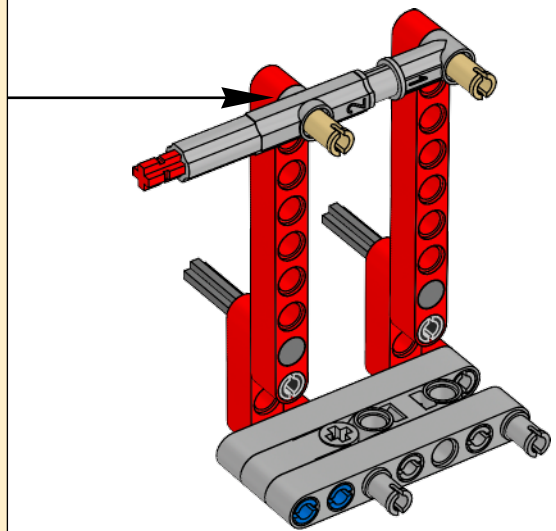
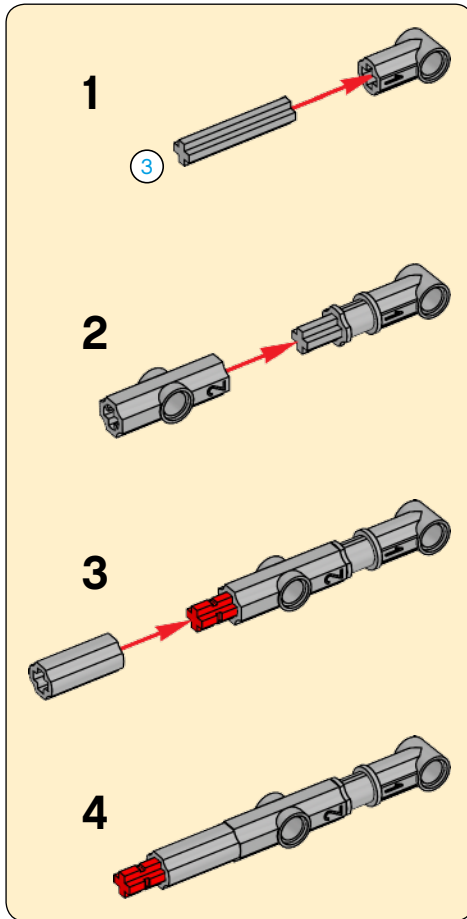


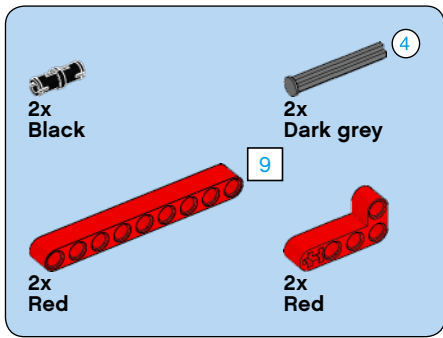
11



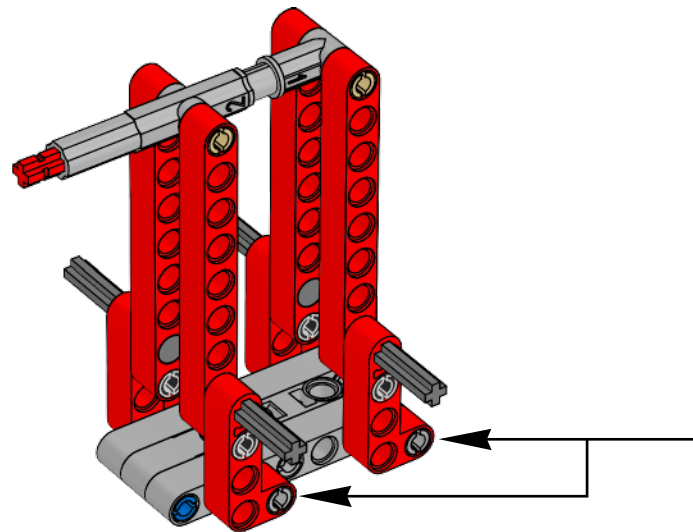
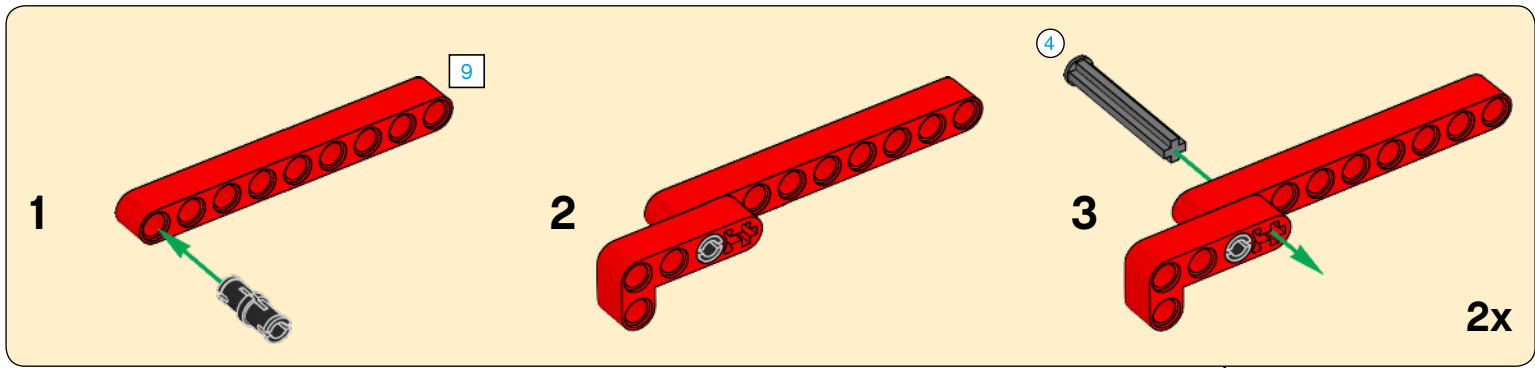


12

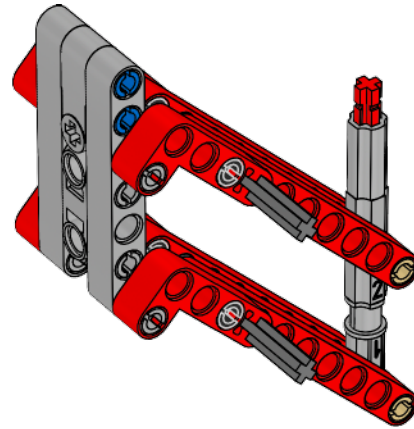
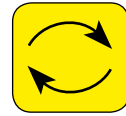




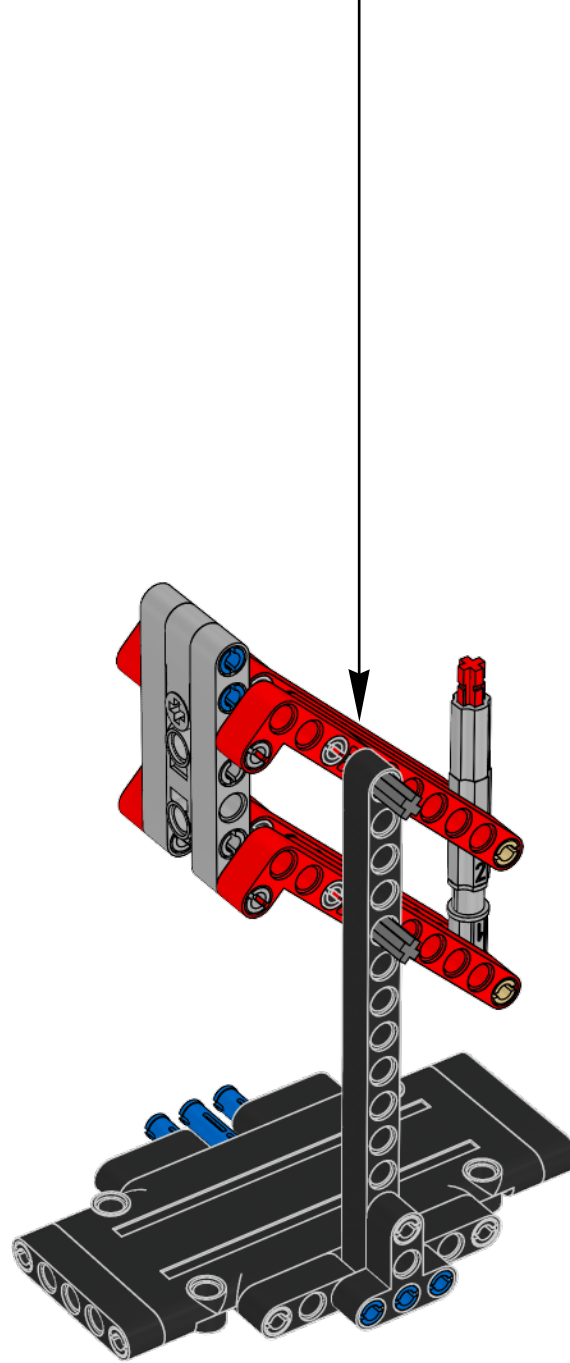
13

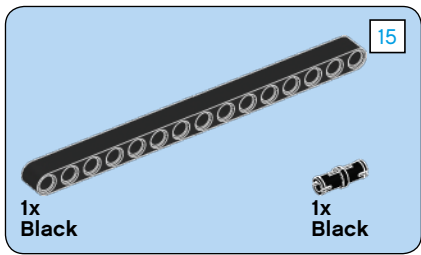


14

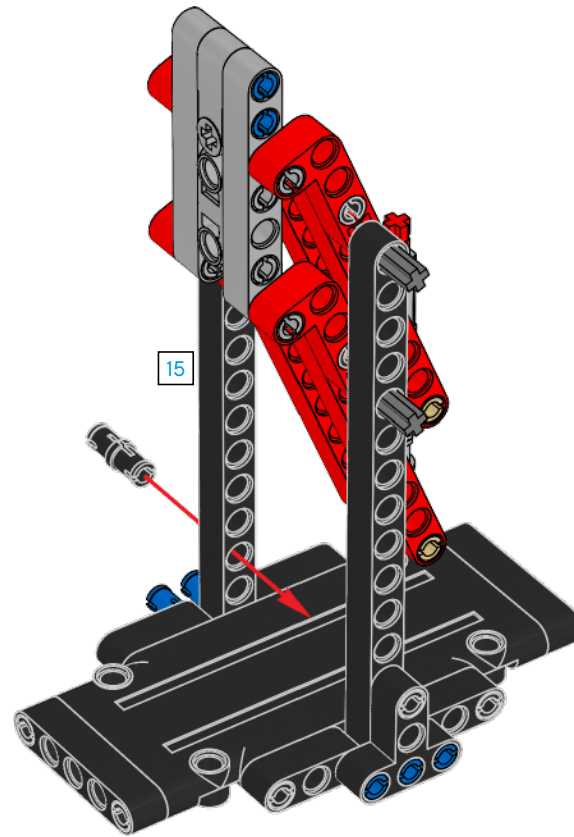


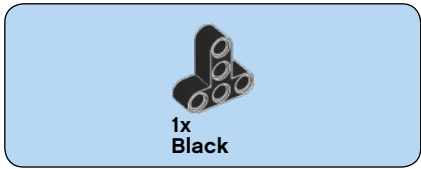
15



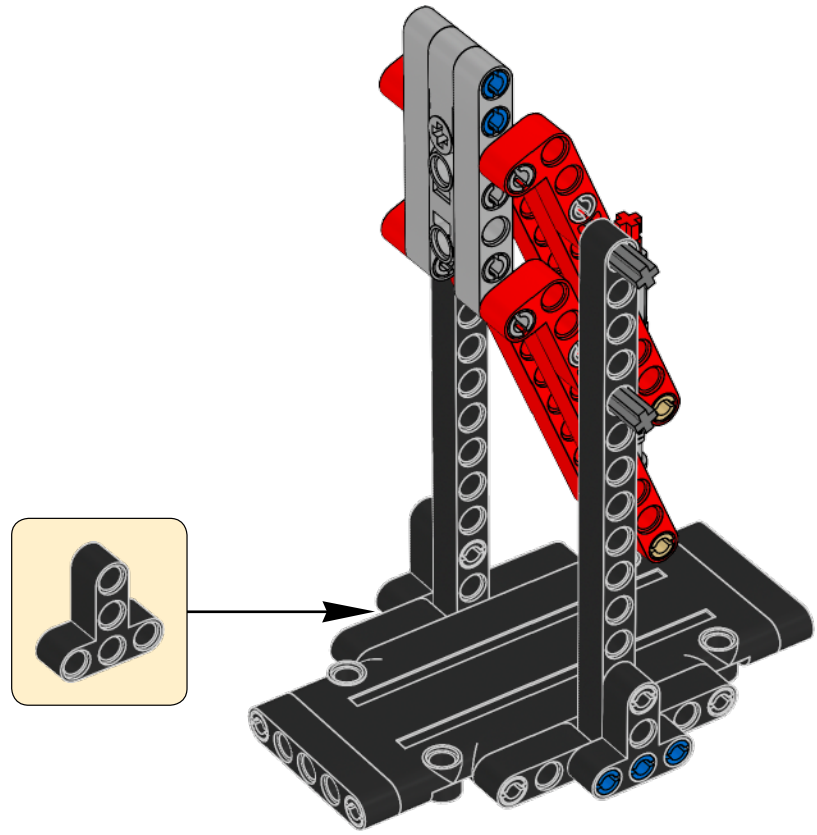


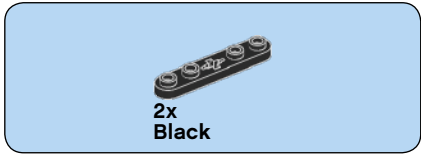
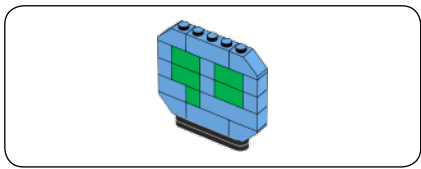
16



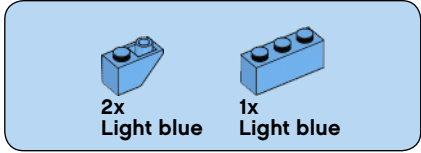
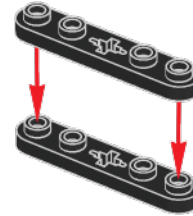


17

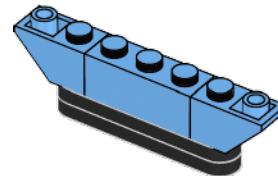


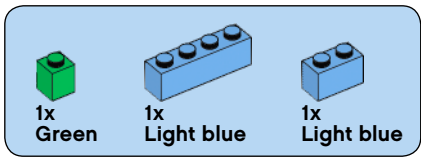


18

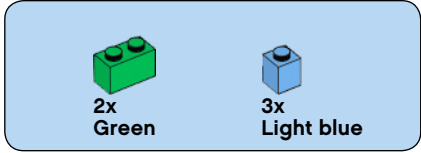
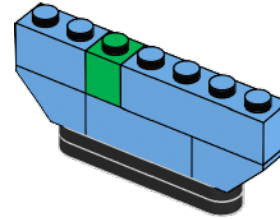


19

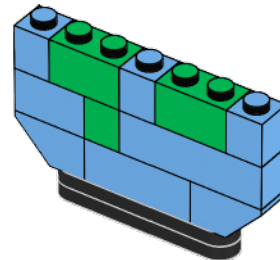




20



21



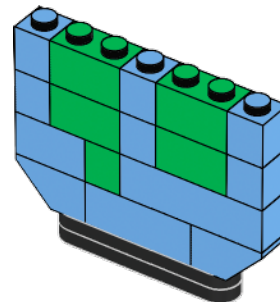


2x
Green



3x
Light blue

22

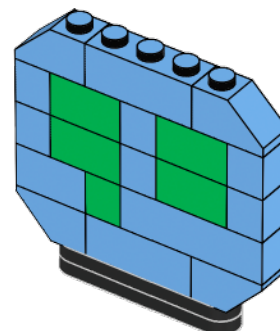


2x
Light blue

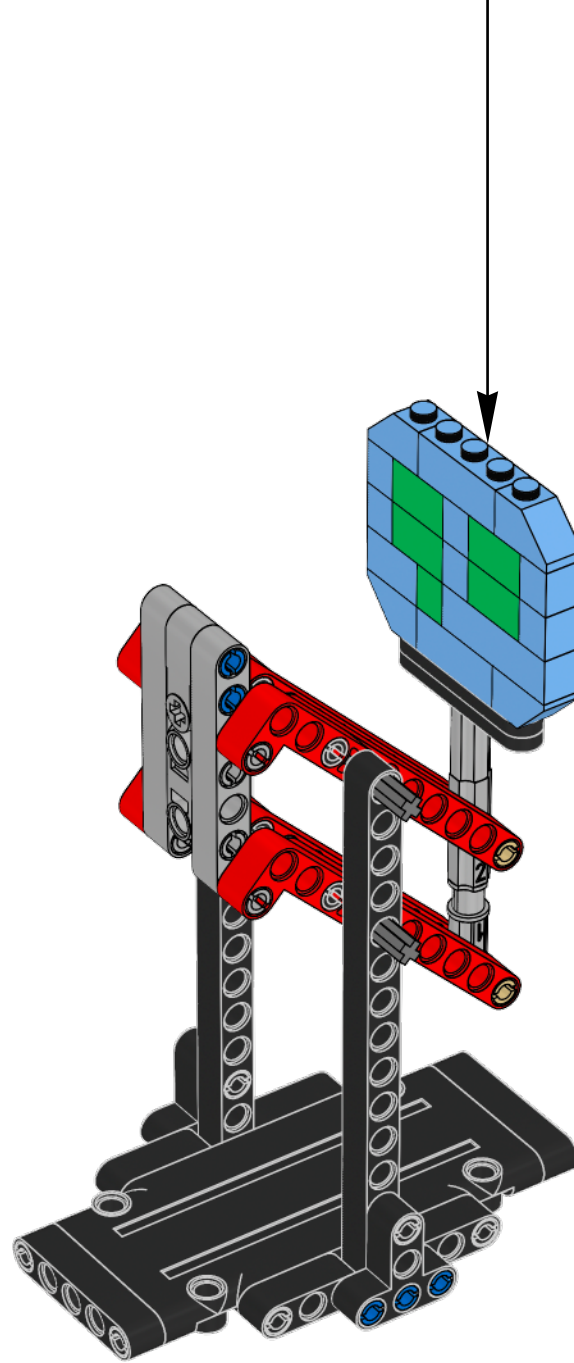


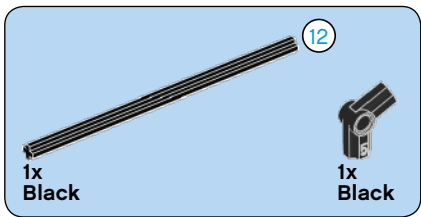
1x
Light blue

23

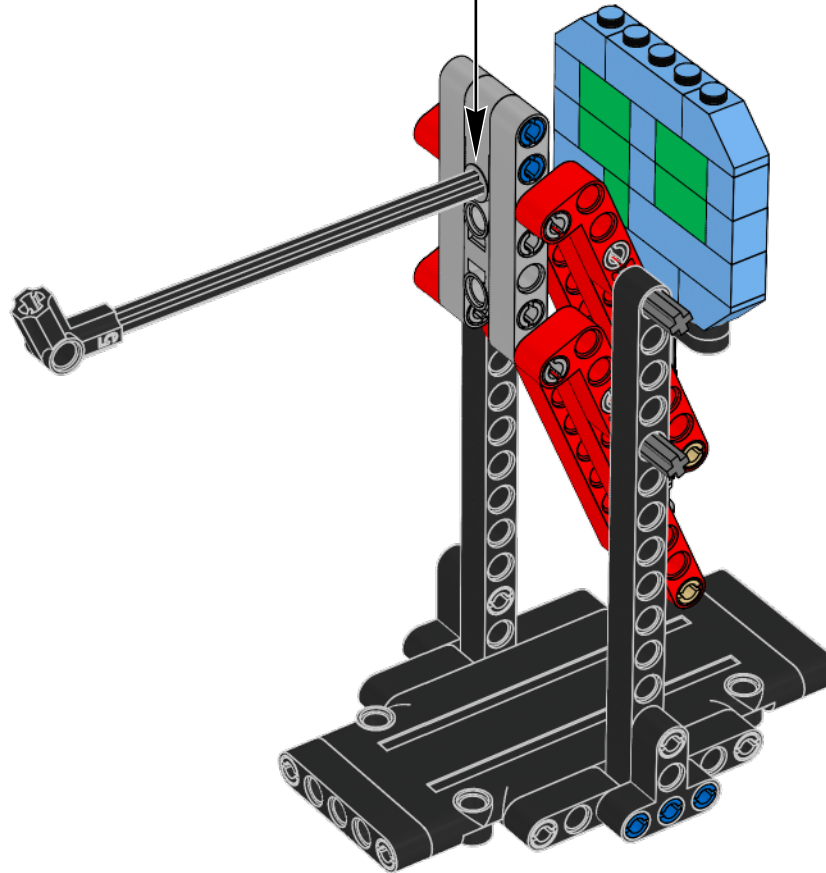
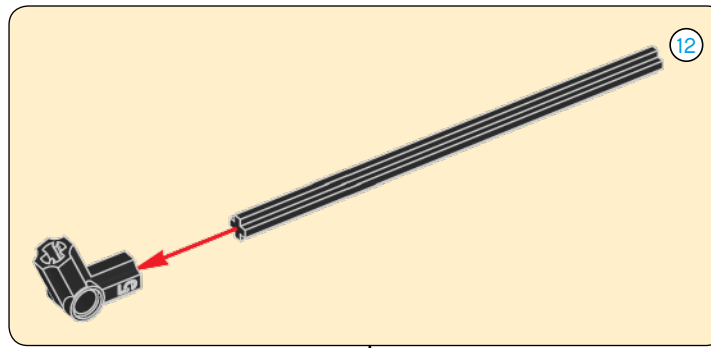


24





25



BAG 8

LEGO and the LEGO logo are trademarks of the/sont des marques de commerce de/son marcas registradas de LEGO Group. ©2014 The LEGO Group.

The *FIRST*® logo is a registered trademark of the/Le *FIRST*® logo est une marquee depose de/El logotipo de *FIRST*® es una marca comercial registrada de U.S. Foundation For Inspiration and Recognition of Science and Technology.