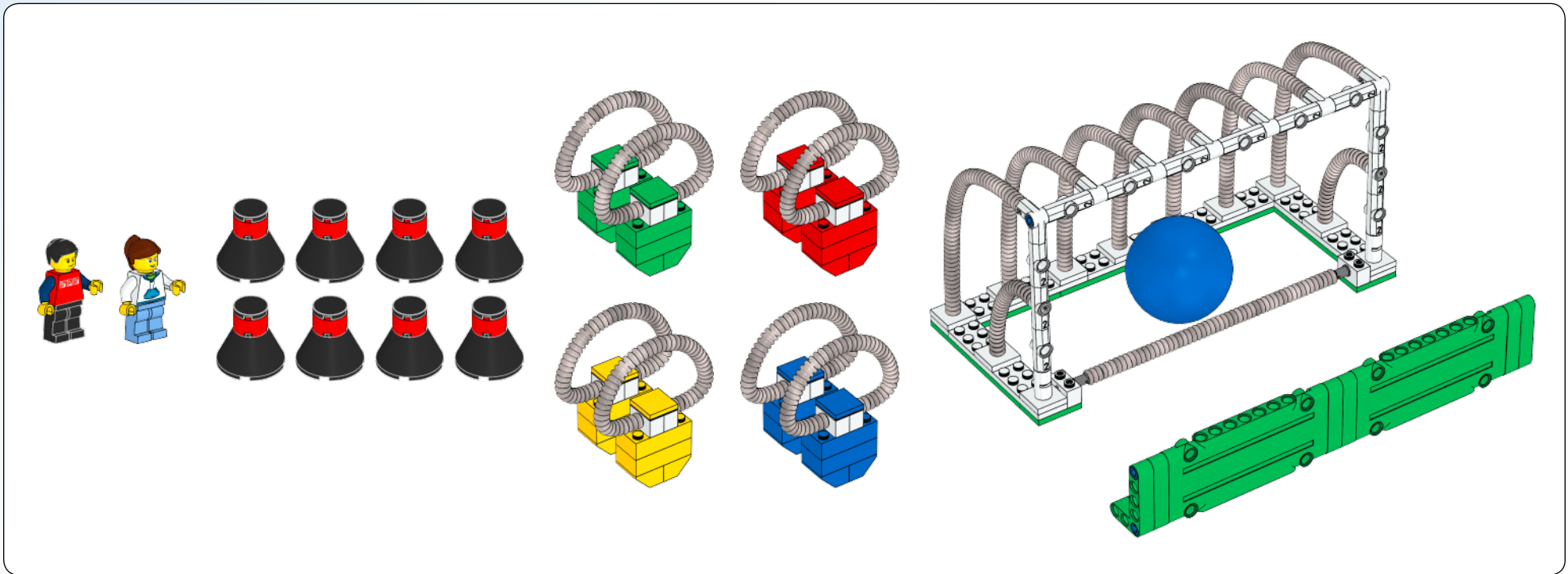
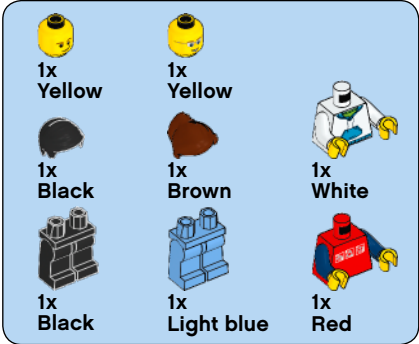
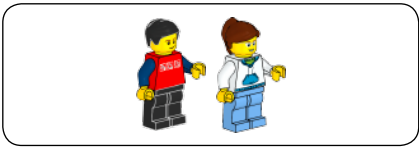


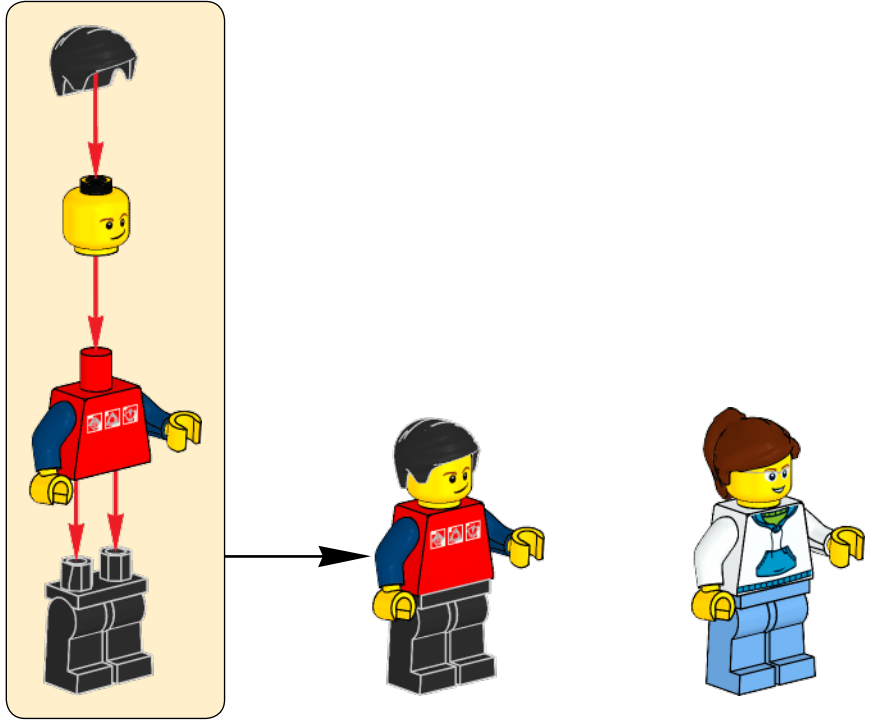
3x

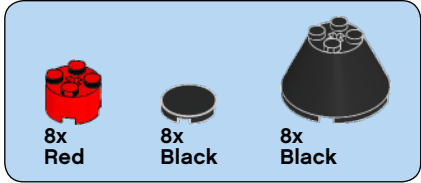
6



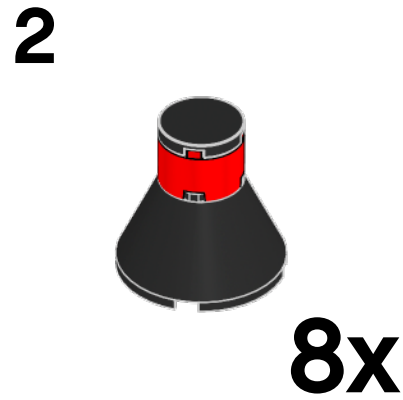
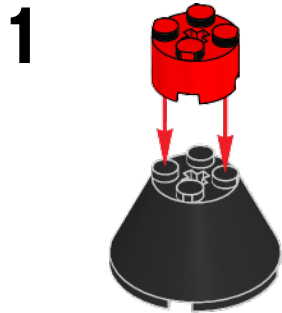


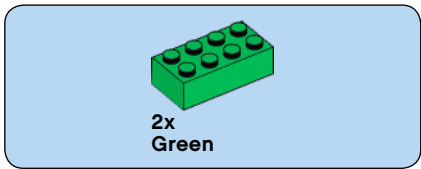
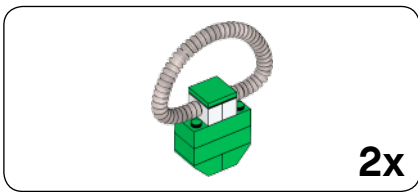
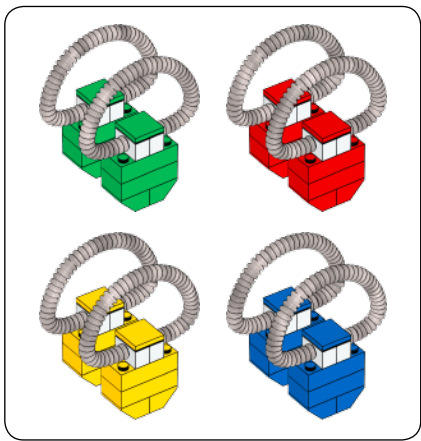
1



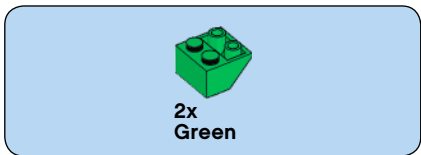
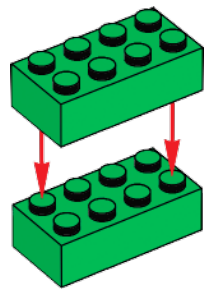


2

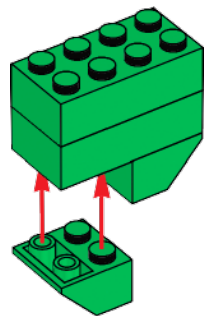


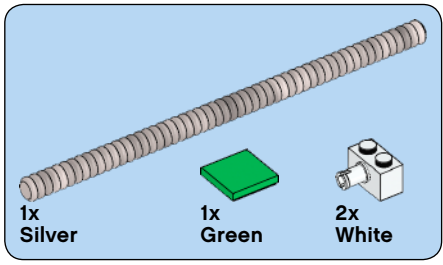


3

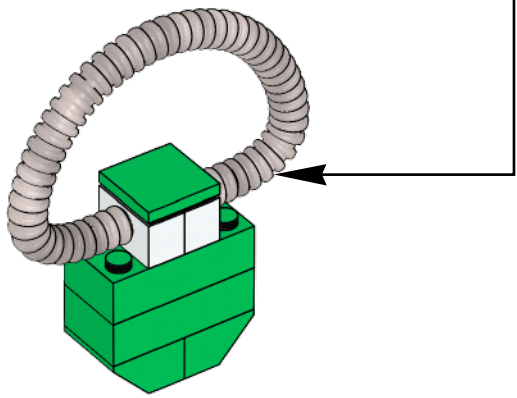
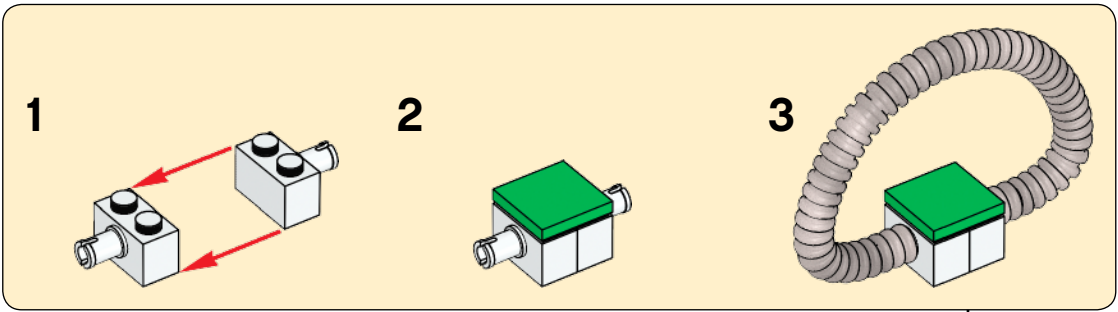


4



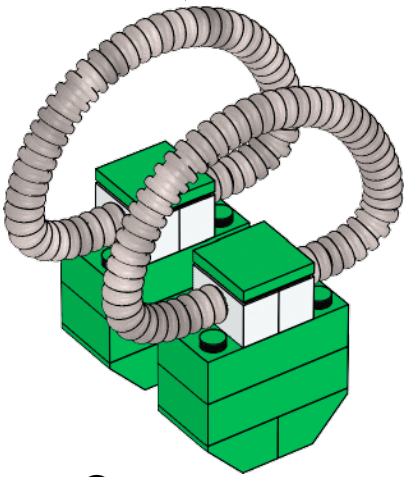


5

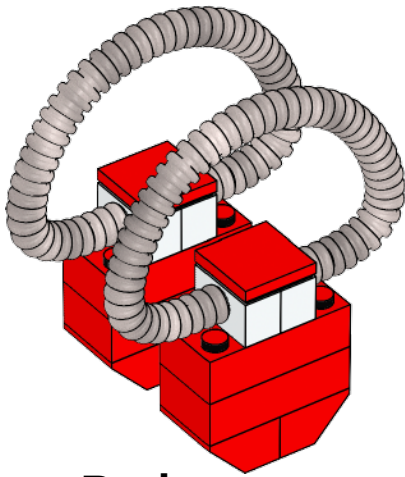


2x

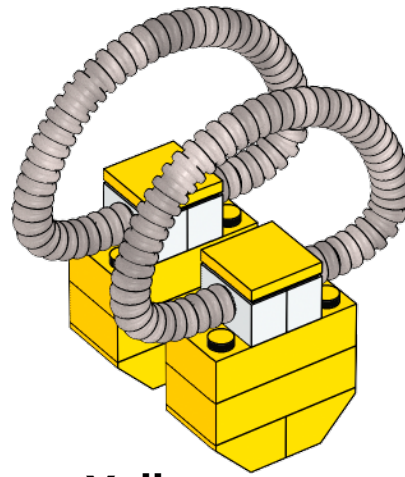
6



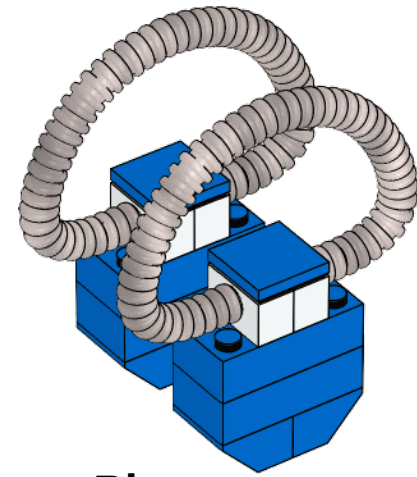
Green



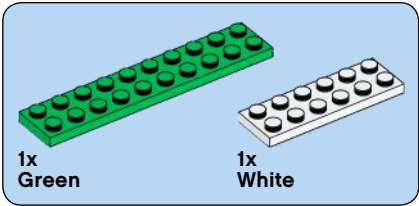
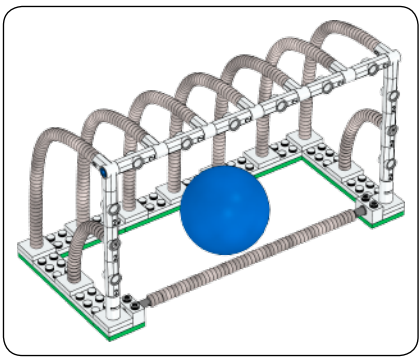
Red



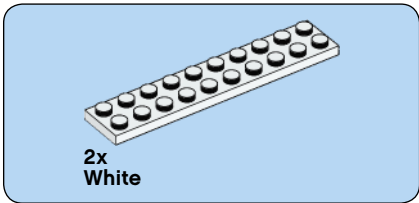
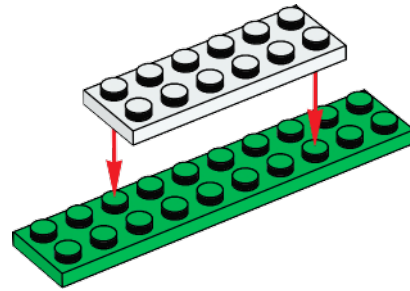
Yellow



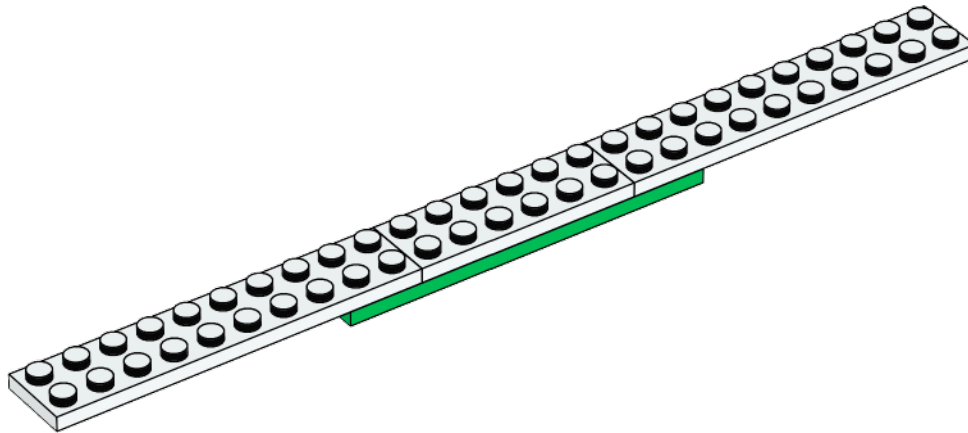
Blue

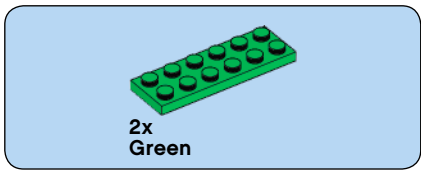


1

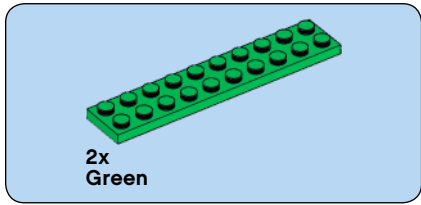
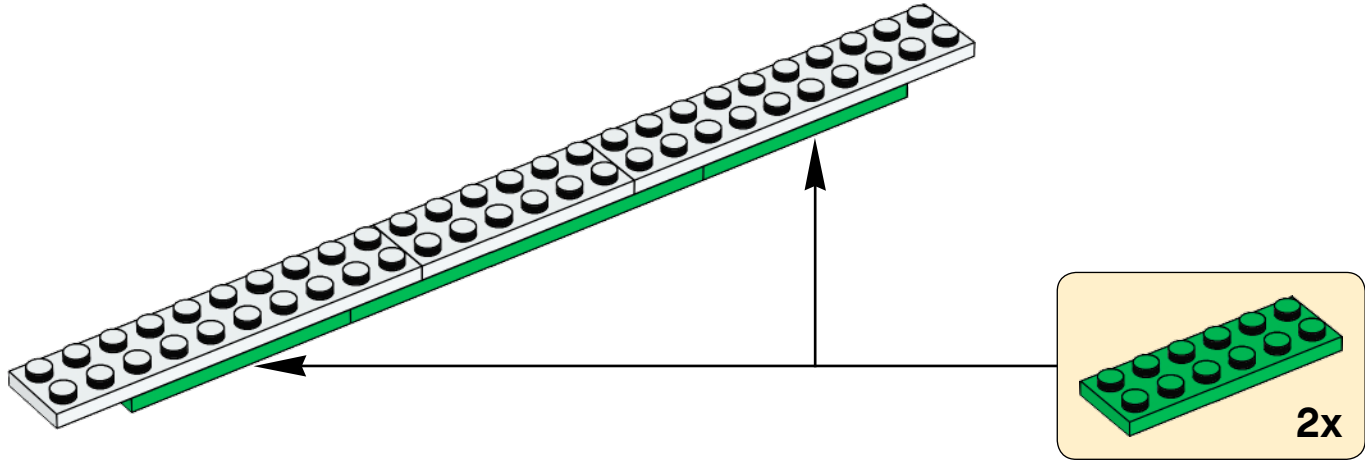


2

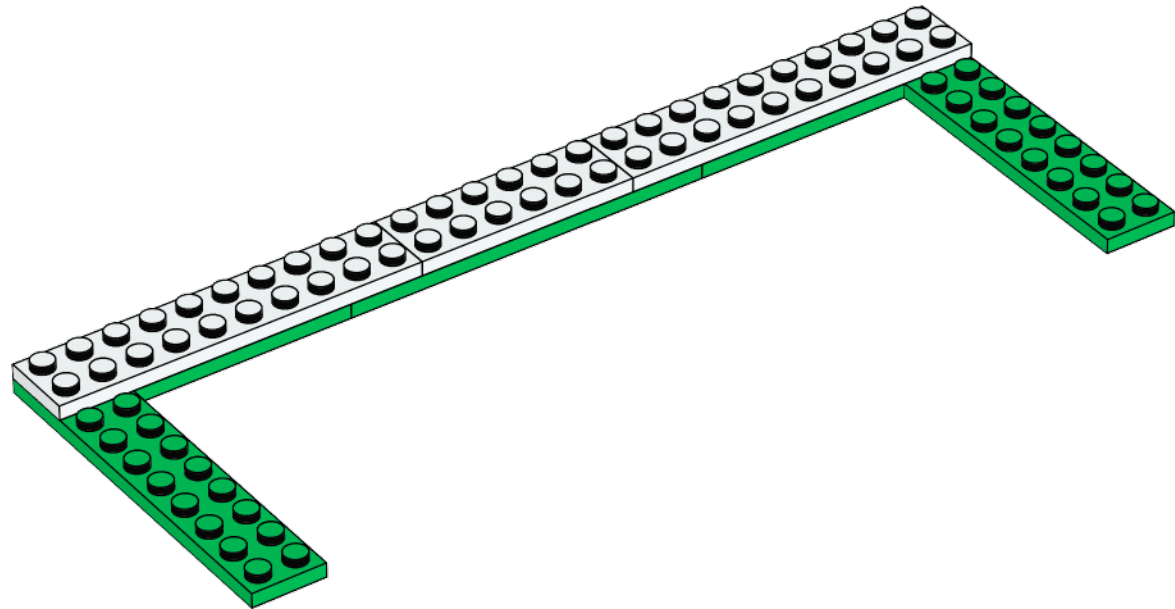




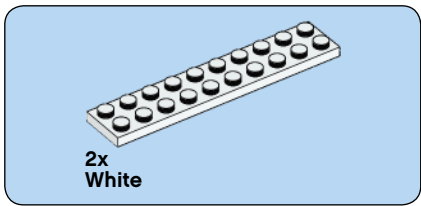
3



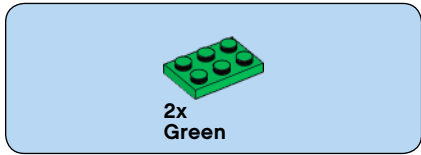
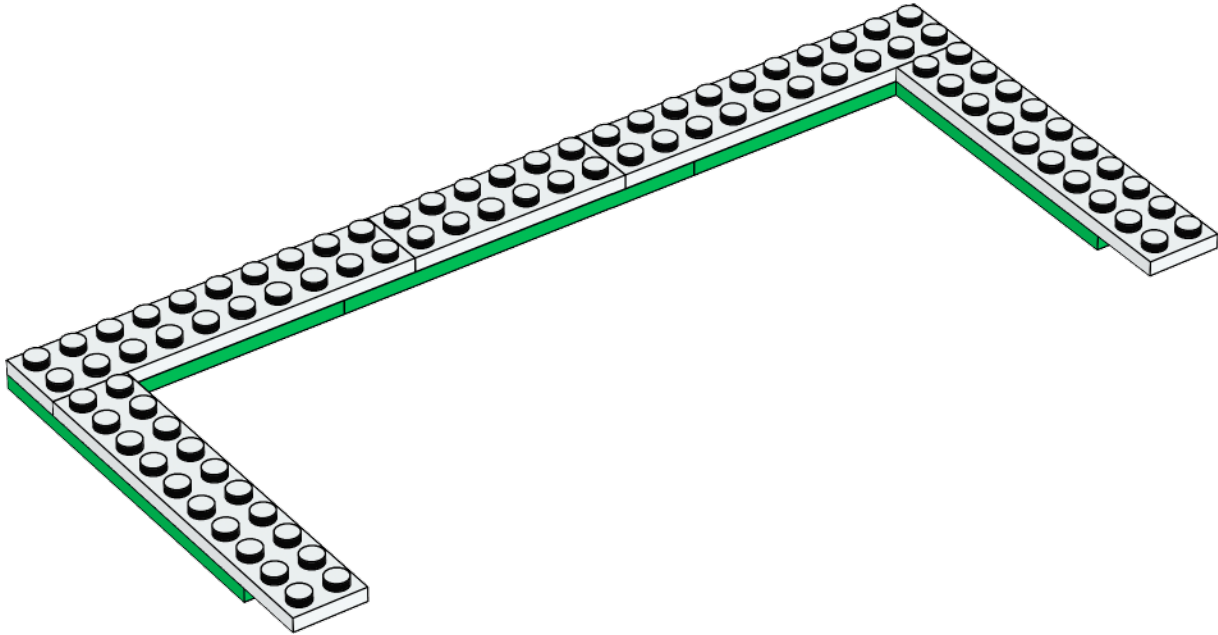
4



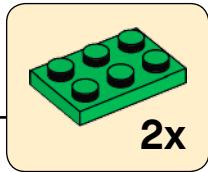
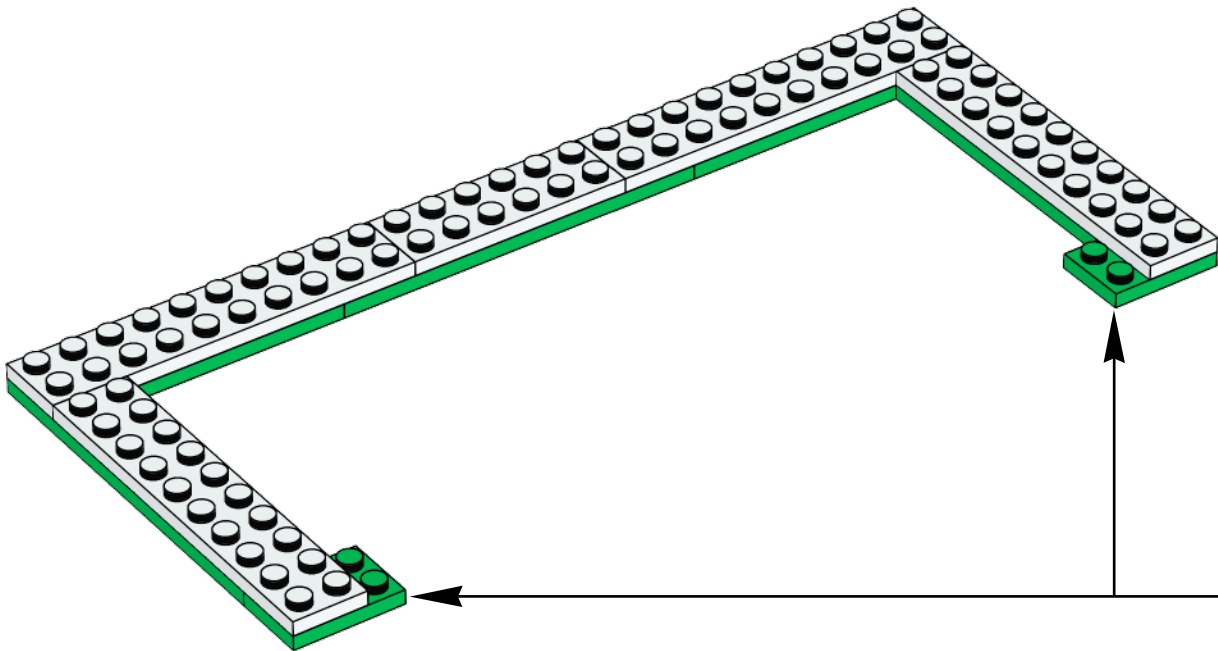


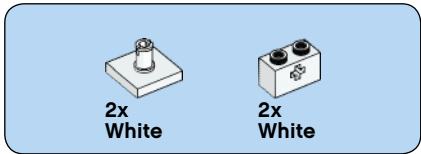


5

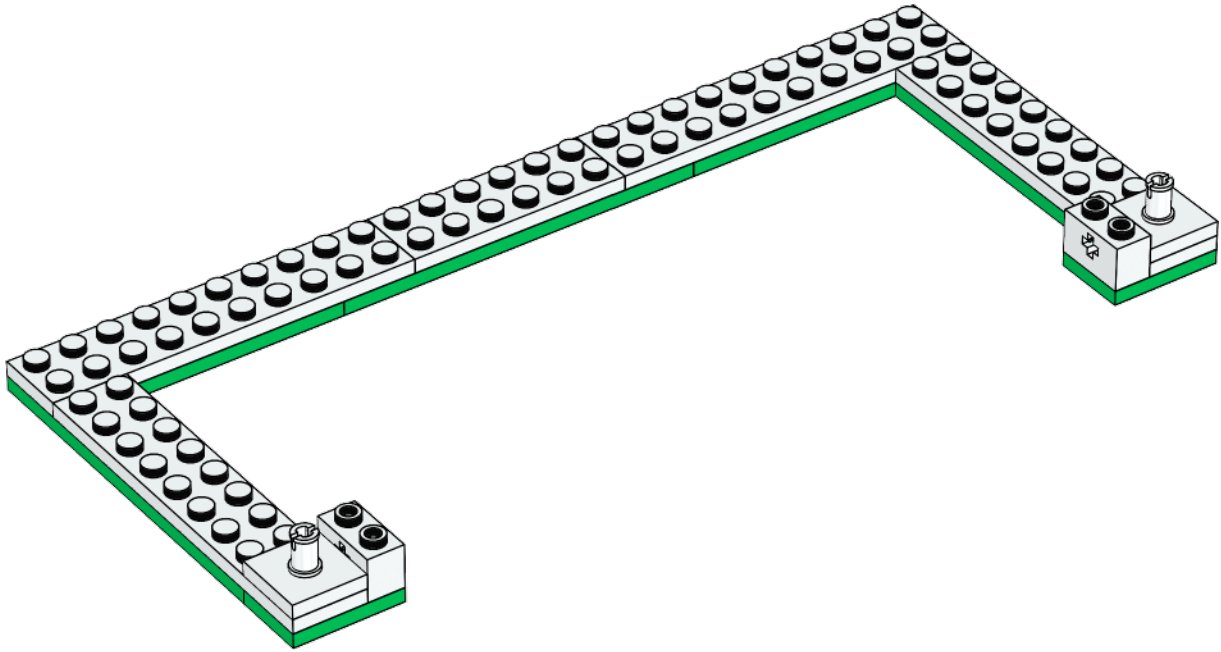


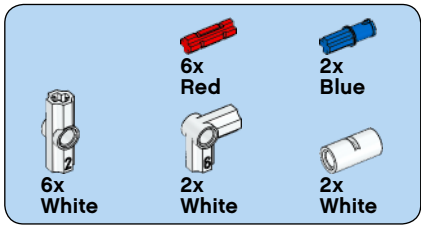
6



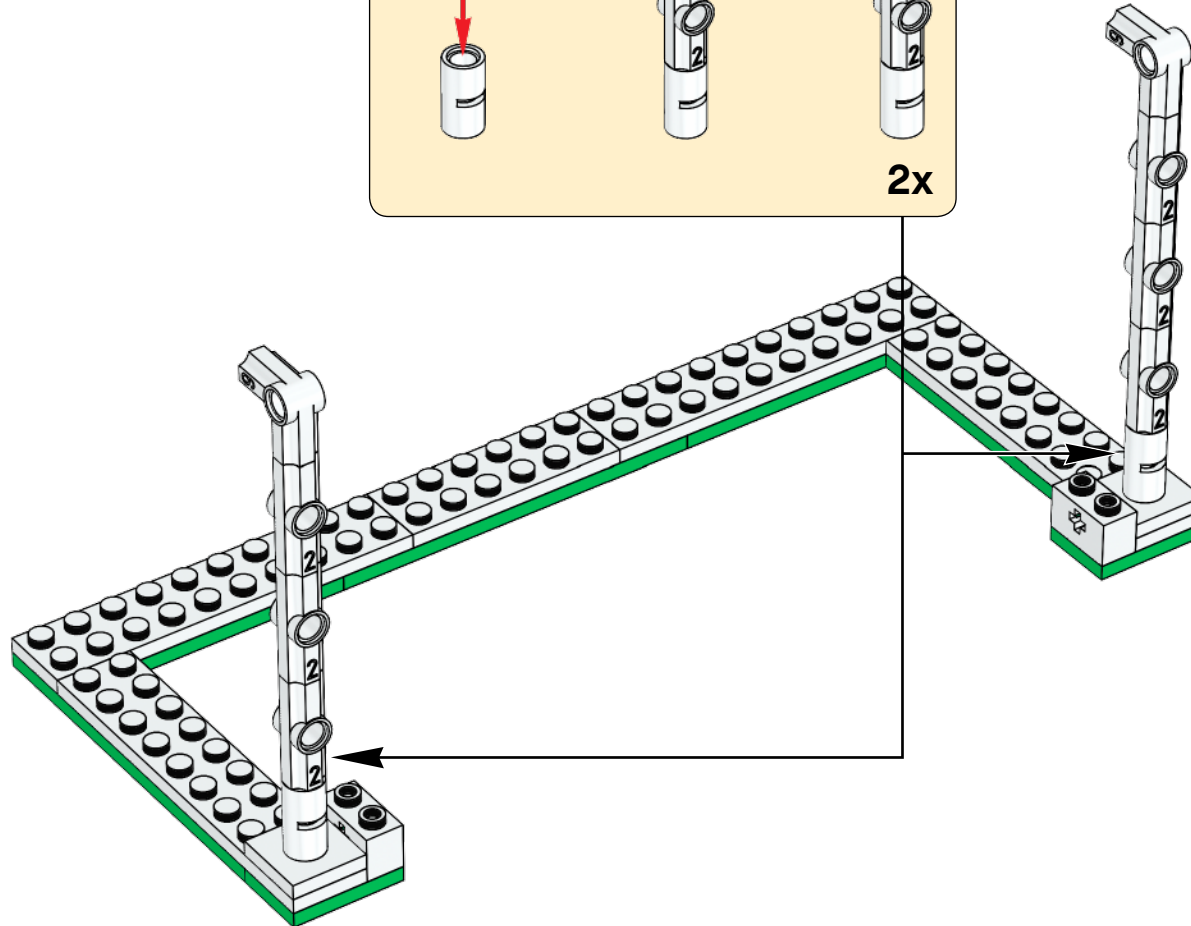
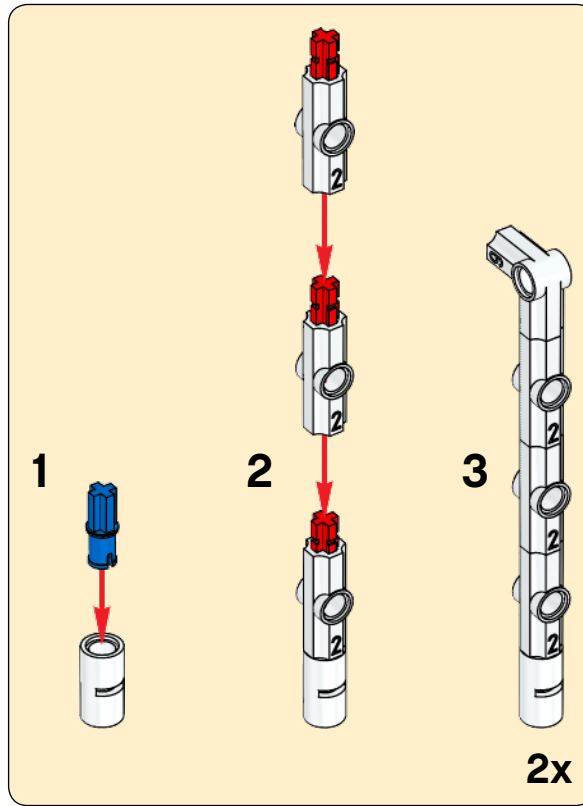


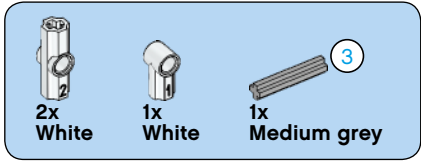
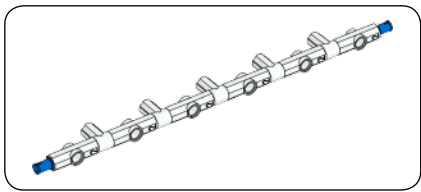
7



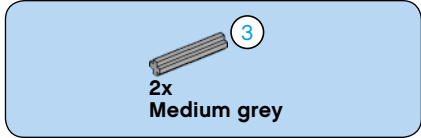
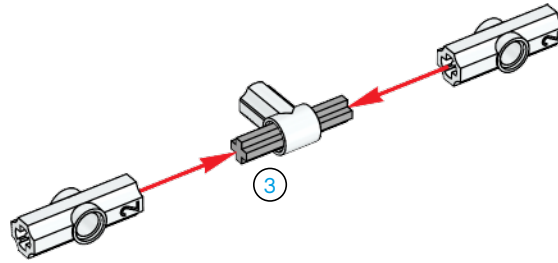


8

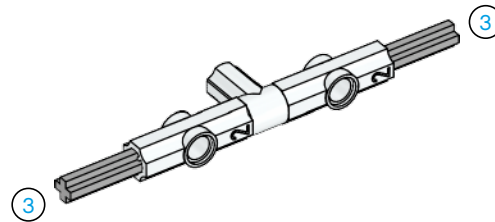


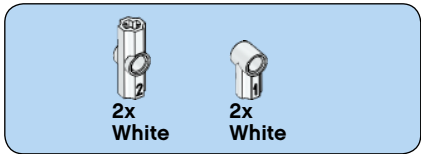


9

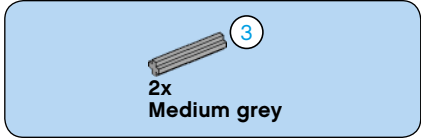
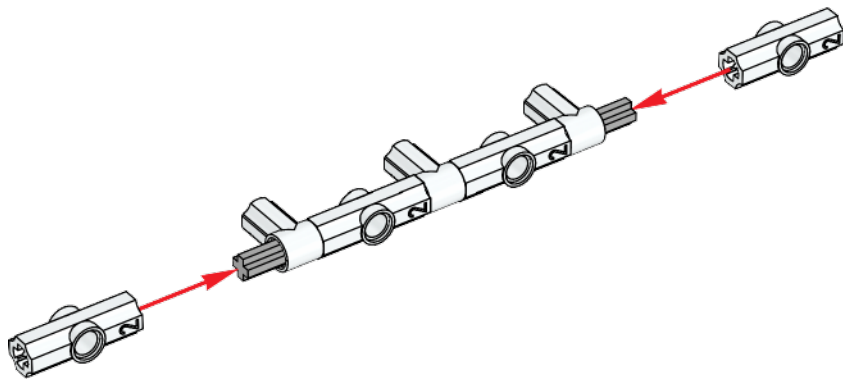


10

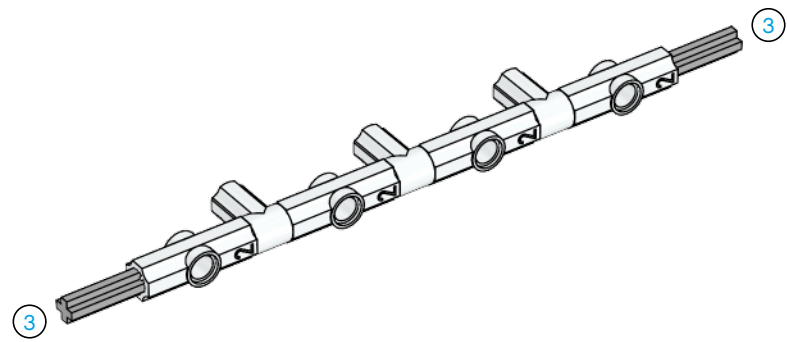


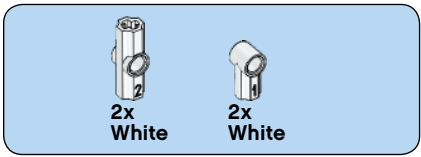


11

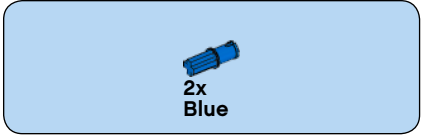
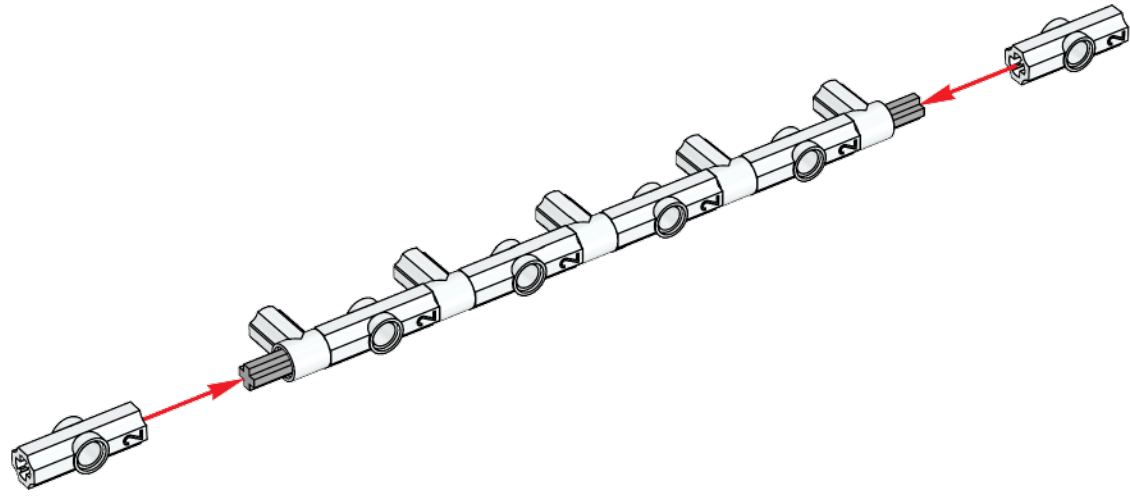


12

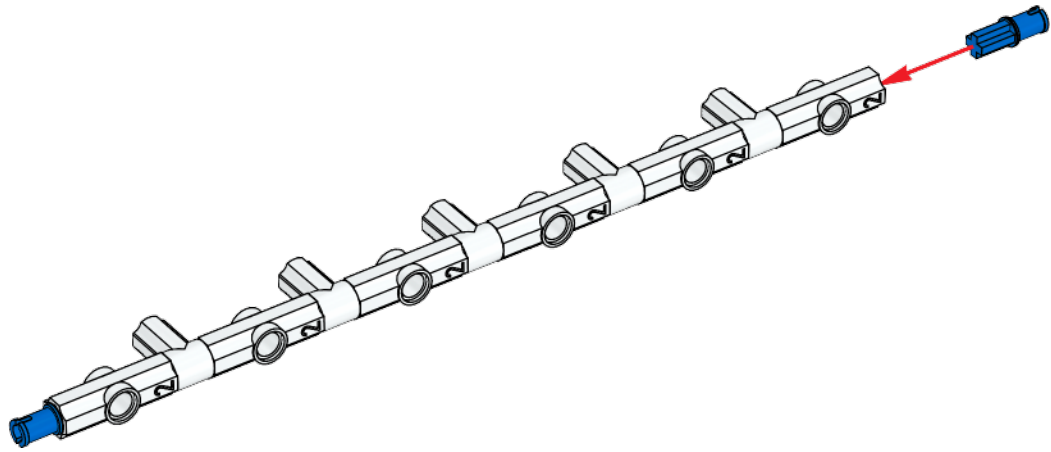




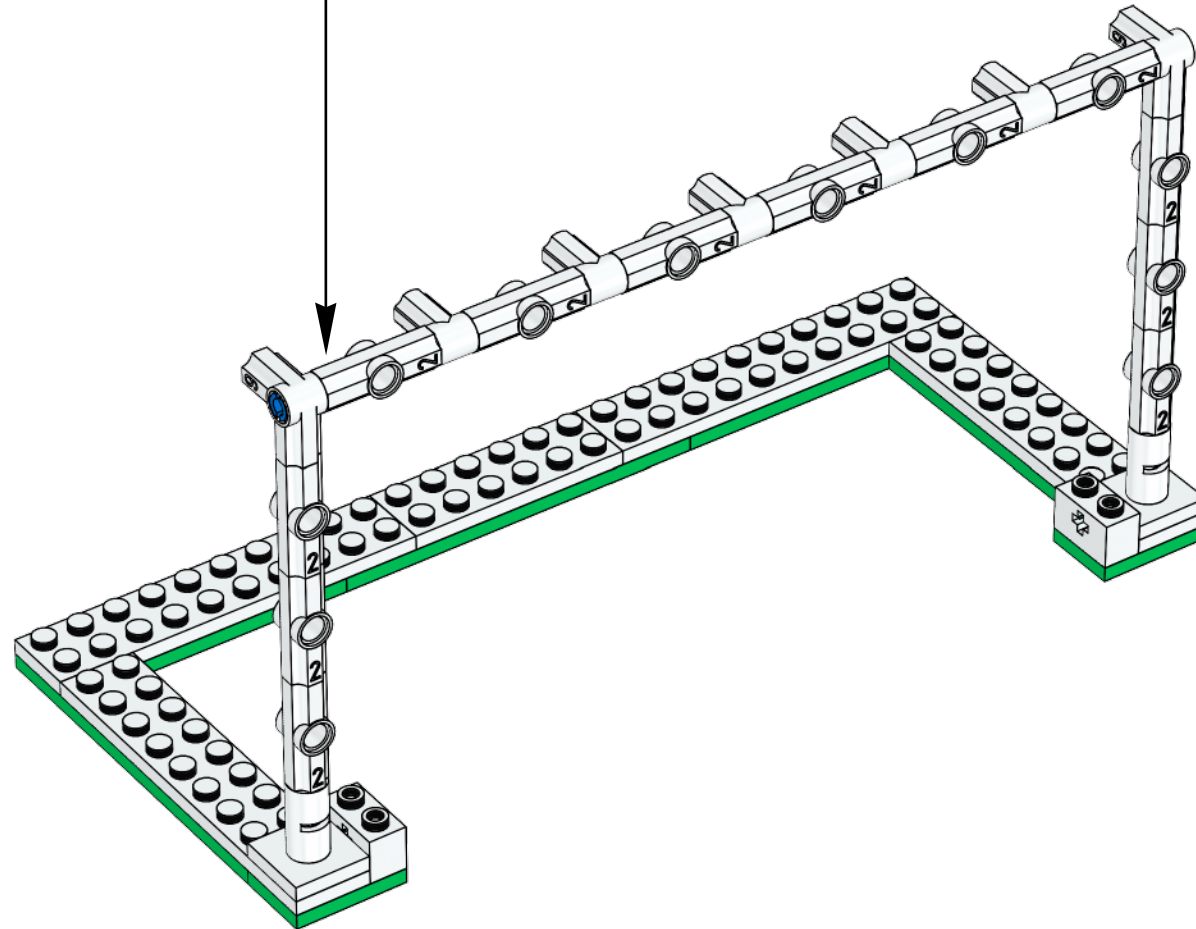
13

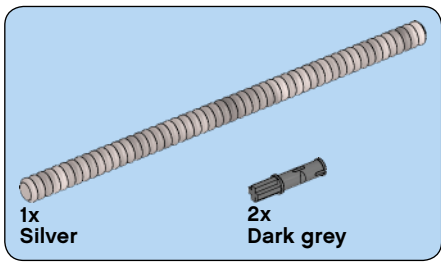


14

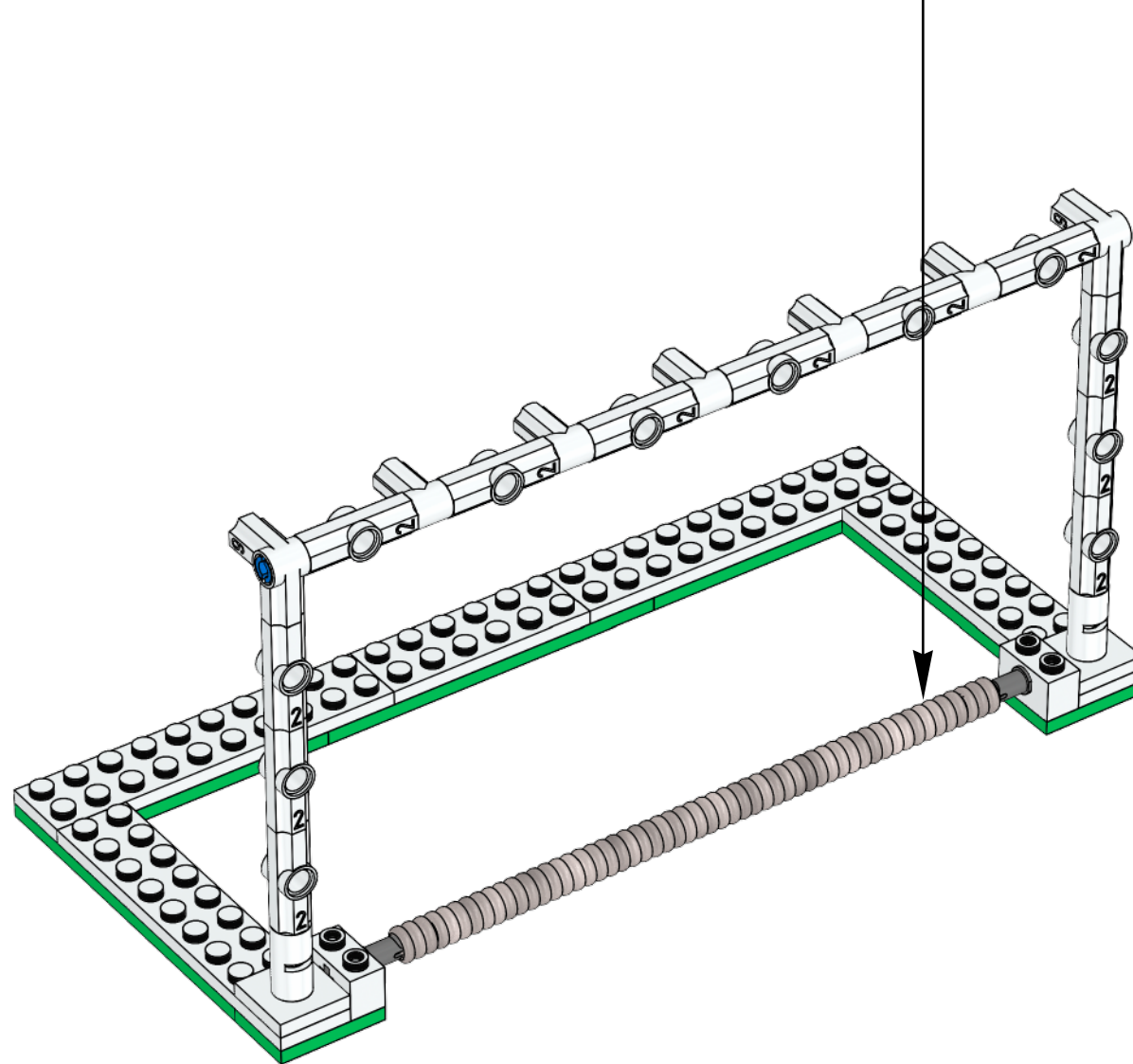
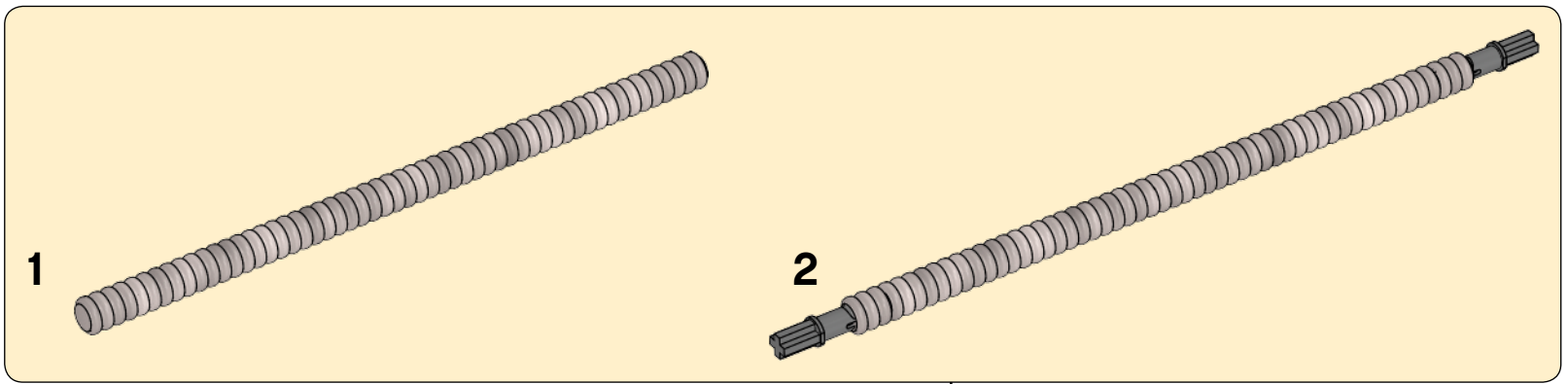


15

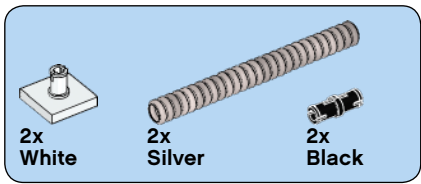




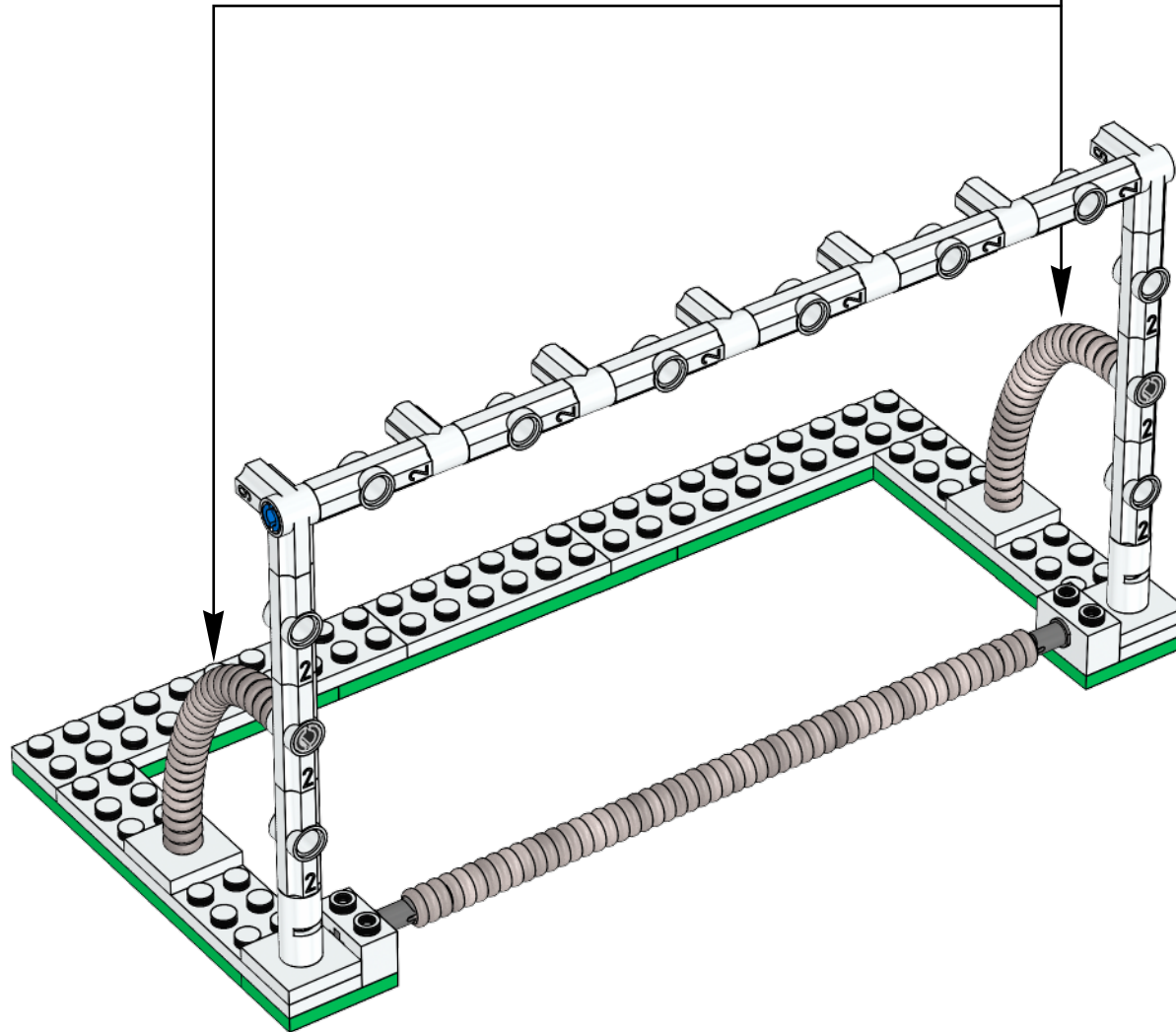
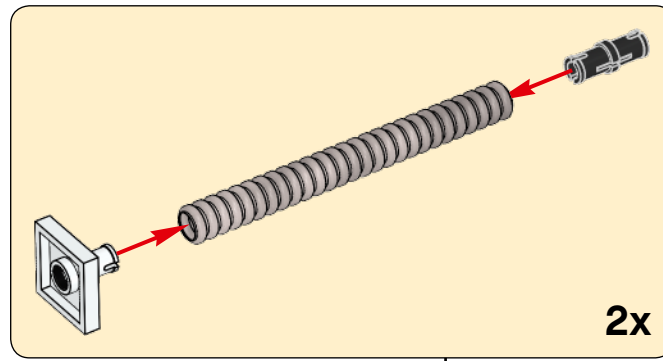
16

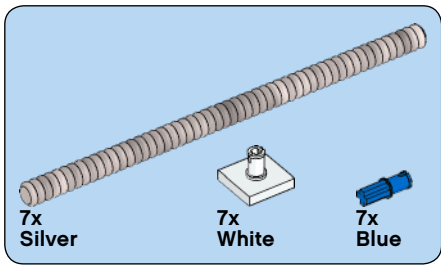




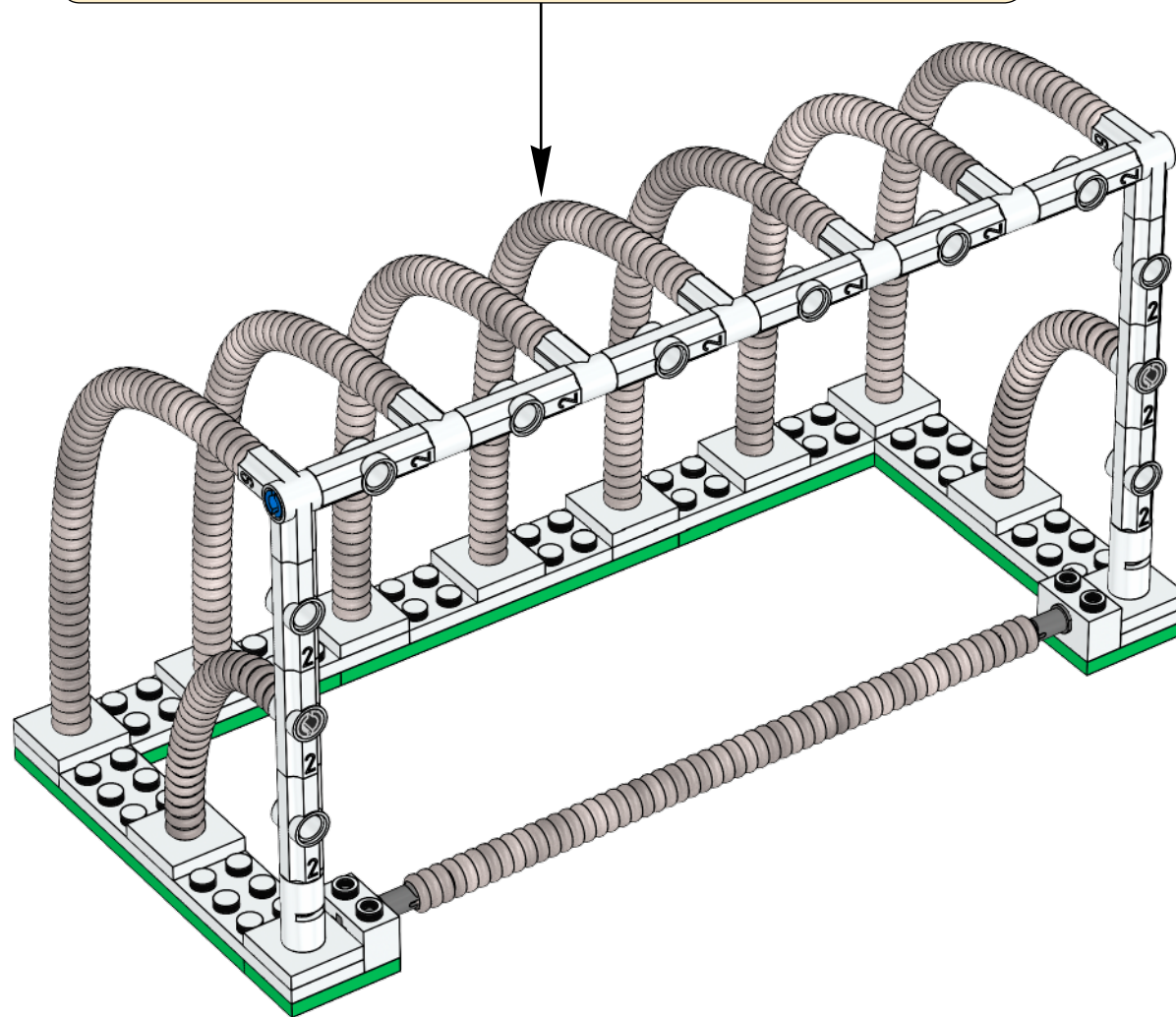
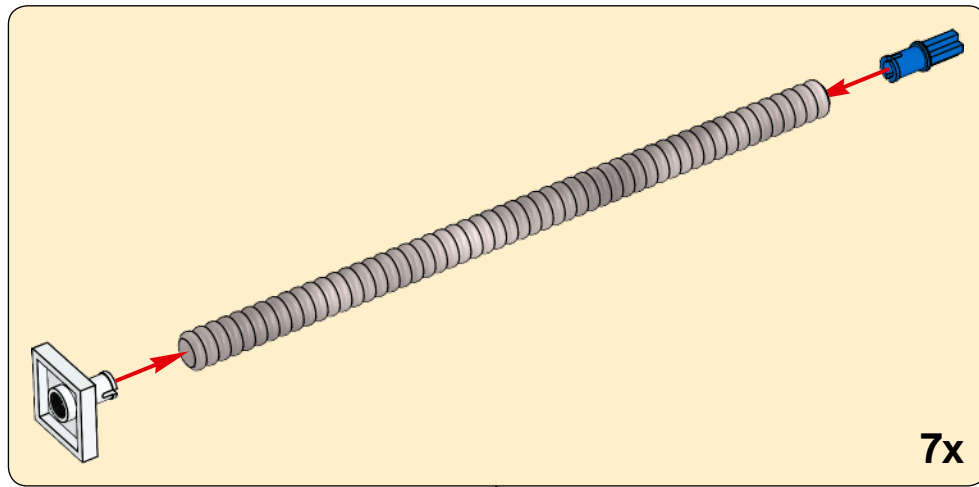


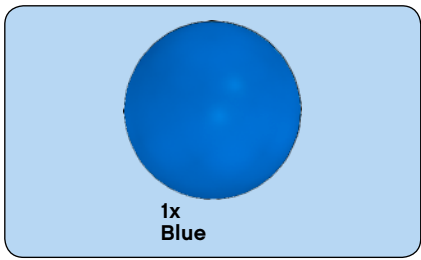
17



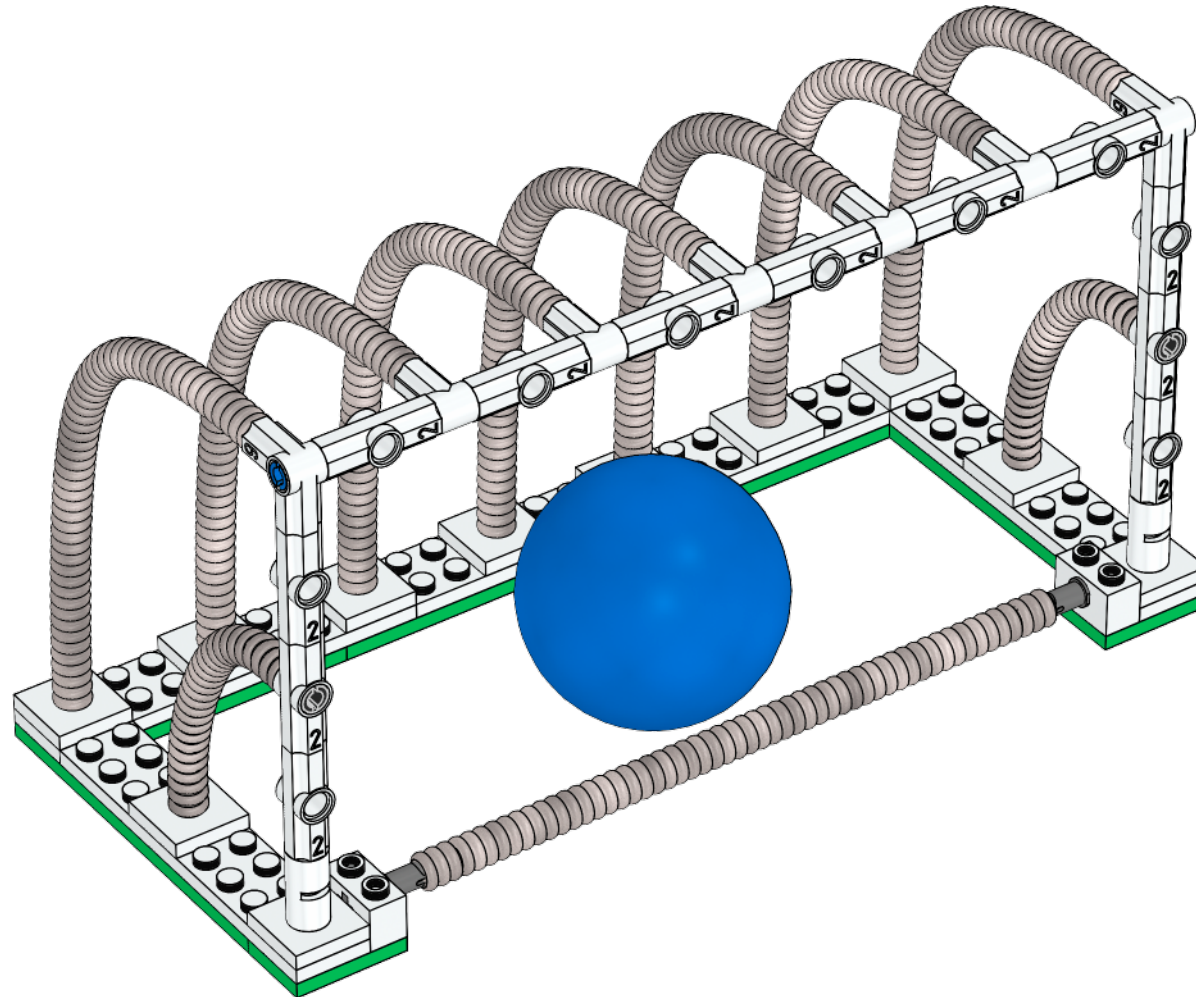


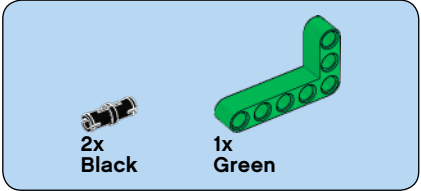
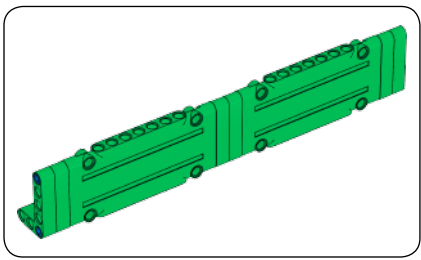
18



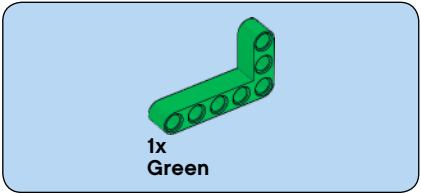
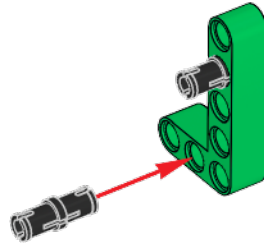


19

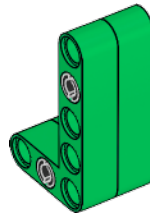




20

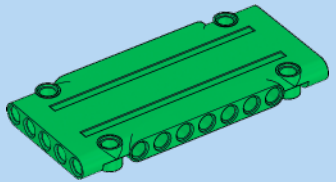
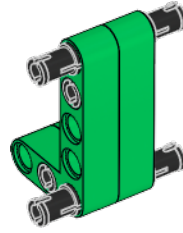


21



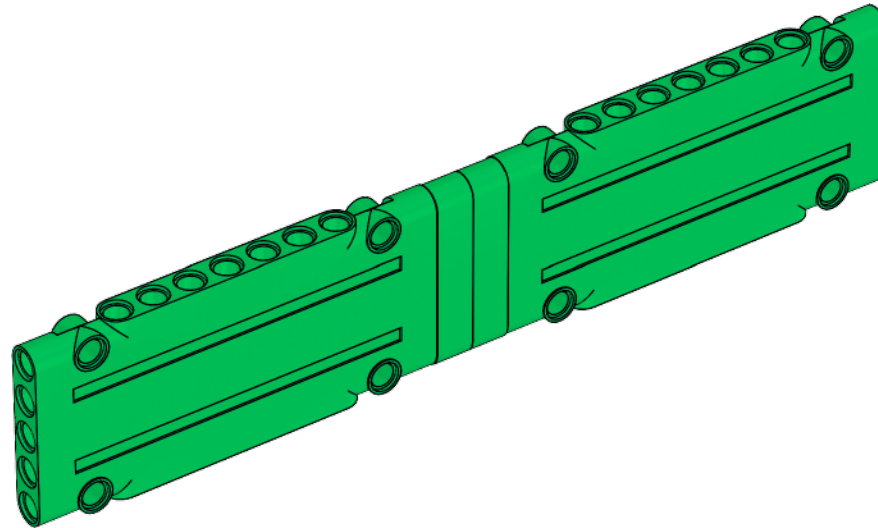
4x  
Black

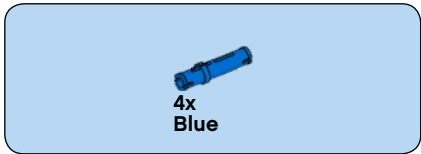
22



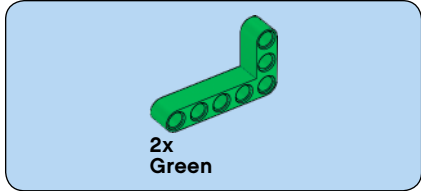
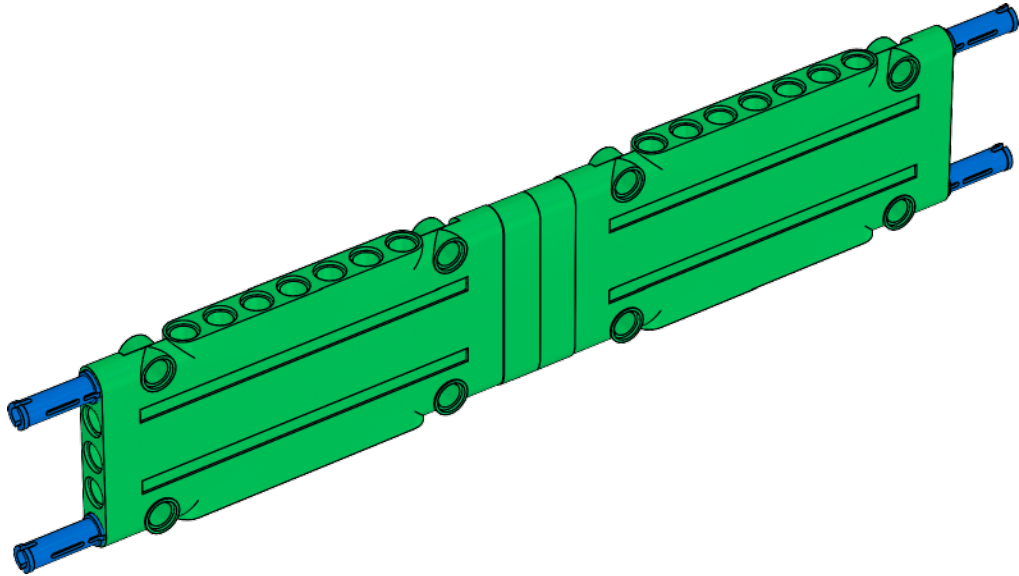
2x  
Green

23

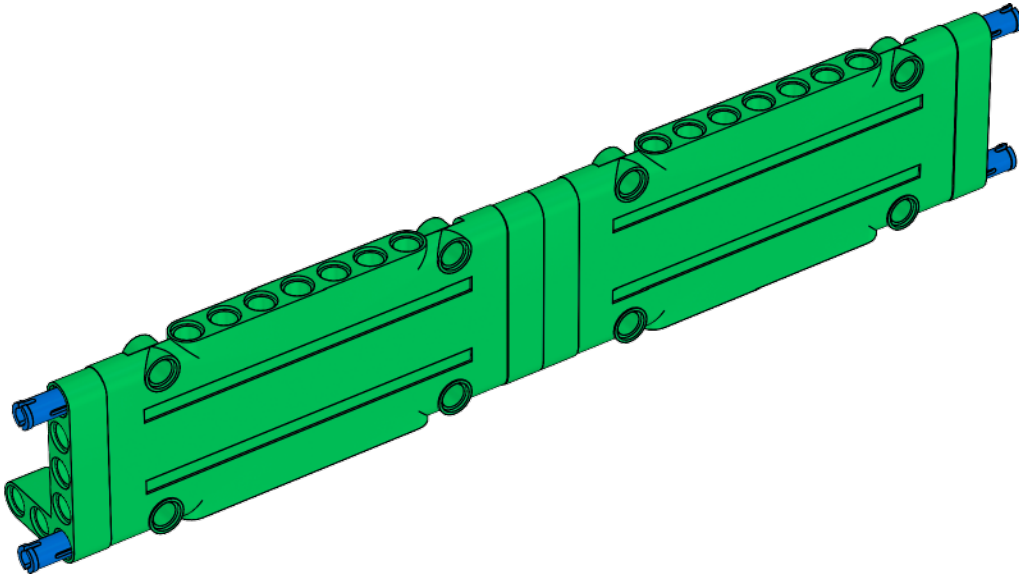


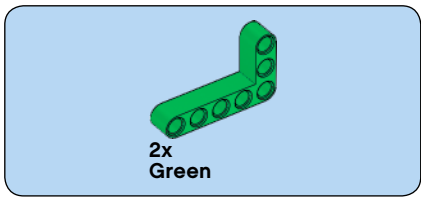


24

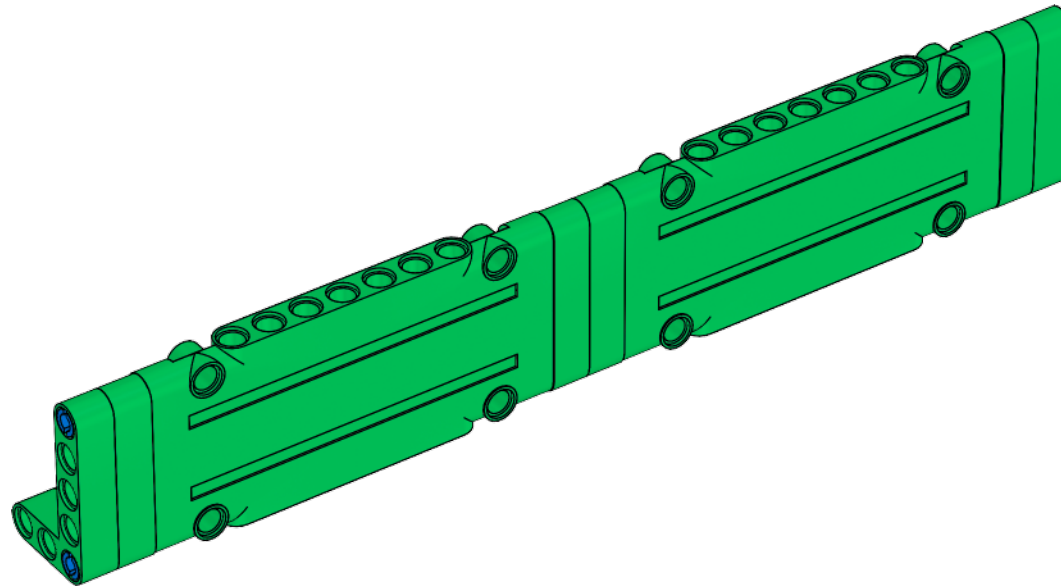


25

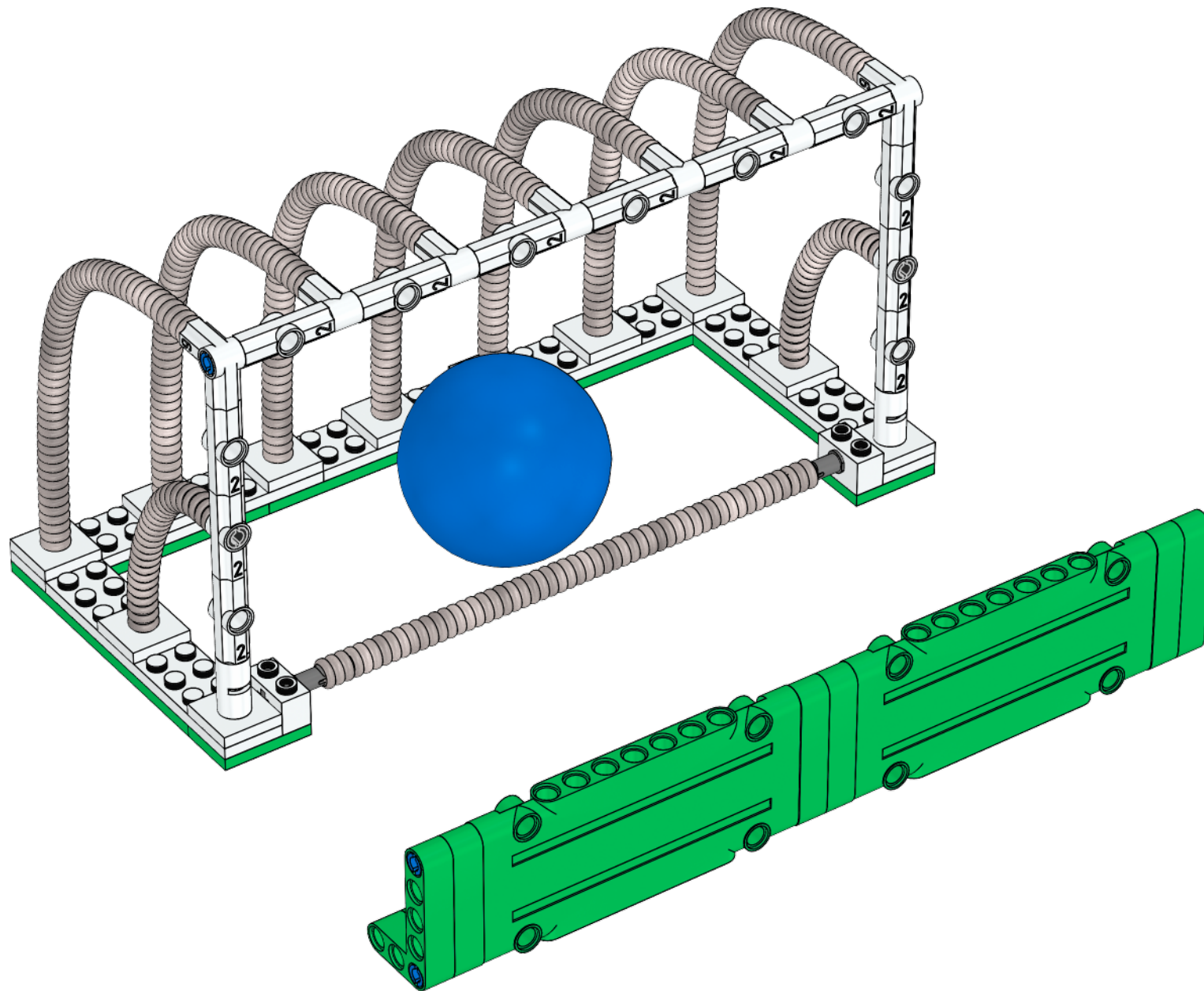




26



# 27



## BAG 6

LEGO and the LEGO logo are trademarks of the/son des marques de commerce de/son marcas registradas de LEGO Group. ©2014 The LEGO Group.

The *FIRST*® logo is a registered trademark of the/Le *FIRST*® logo est une marquee depose de/El logotipo de *FIRST*® es una marca comercial registrada de U.S. Foundation For Inspiration and Recognition of Science and Technology.